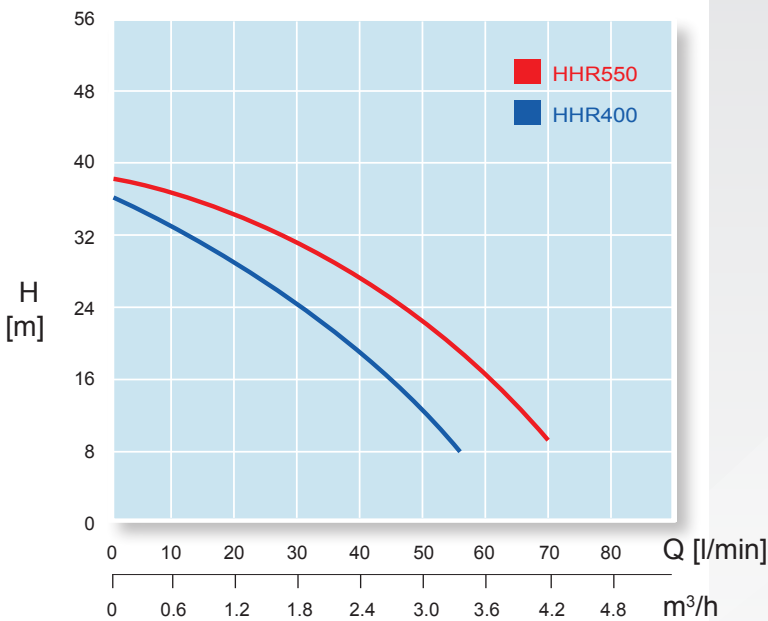


SURFACE OPTION



PERFORMANCE CURVE



HHR-400/550

APPLICATION

- The HYJET HHR SERIES is an automatic Rain / Mains changeover pump system allowing tank water to be used for water supply in preference to mains water.
- The HYJET HHR SERIES has a quality proven electronic pressure controller which automatically starts the pump when there is demand for water supply. The pressure controller will only operate the pump if tank water is available.
- The HYJET HHR SERIES will automatically switch to mains water when tank water is empty and in case of power failure. The HYJET HHR SERIES does not require an in-tank float switch which makes the system quick and easy to install.
- The HYJET HHR SERIES has a mains pressure of 200 kPa

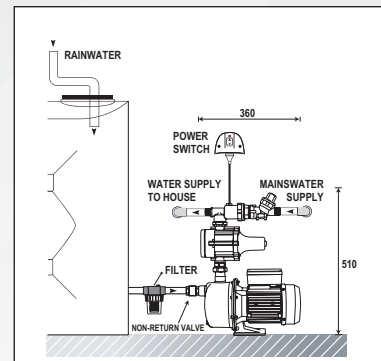
FEATURES

- Electronic Controller with run dry protection
- No in-tank float switch
- Quick & Easy to install
- AS/NZS 4020 Compliant for drinking water contact
- Suitable for single & double storey homes (UP TO 4 OUTLETS TOILETS & LAUNDRY ONLY)
- Automatically switches to mains in case of power failure
- Watermarked dual check valve for back flow prevention

CONSTRUCTION

- Pump body: AISI 304 Stainless steel
- Impeller: Stainless steel
- Motor Shaft: Stainless steel
- Mech seal: Ceramic / Graphite / NBR

Installation Guide



TECHNICAL DATA

Model	POWER		MAX. FLOW (L/min)	MAX. HEAD (m)	Tap Qty	STOREY	CONNECTION	
	(kW)	(HP)				Suitable for:	Outlet (mm)	Mains Inlet
HHR-400	0.37	0.50	55	36	3	Single	3/4" (M)	3/4" (M)
HHR-550	0.55	0.75	60	38	4	Single & Double	3/4" (M)	3/4" (M)