

# TOP MULTI

## Submersible multi-stage pumps

-  Clean water
-  Domestic use
-  Civil use



TOP MULTI 1



TOP MULTI 2  
TOP MULTI 3

### PERFORMANCE RANGE

- Flow rate up to **120 l/min** (7.2 m<sup>3</sup>/h)
- Head up to **42 m**

### APPLICATION LIMITS

- Immersion depth:
  - up to **3 m** for TOP MULTI 1
  - up to **10 m** for TOP MULTI 2-3 (with a sufficiently long power cable)
- Maximum liquid temperature **+40 °C**
- Suction level:
  - **25 mm** above ground level for TOP MULTI 1
  - **35 mm** above ground level for TOP MULTI 2-3
- Continuous service **S1**

### CONSTRUCTION AND SAFETY STANDARDS

Complete with:

- **10 m** long power cable
- float switch
- hose connector Ø 35 mm
- complete connector with flap-check valve

EN 60335-1  
IEC 60335-1  
CEI 61-150

EN 60034-1  
IEC 60034-1  
CEI 2-3



### CERTIFICATIONS

Company with management system certified DNV  
ISO 9001: QUALITY



### INSTALLATION AND USE

**TOP MULTI**® pumps are recommended for pumping **clean water** and liquids that are not chemically aggressive for the materials from which the pump is made.

Because of their high efficiency and reliability they are suitable for use in applications such as domestic water supply from reservoirs, tanks or relatively deep wells, for drawing rain water from cisterns to water gardens or for use in irrigation systems, etc.

### PATENTS - TRADE MARKS - MODELS

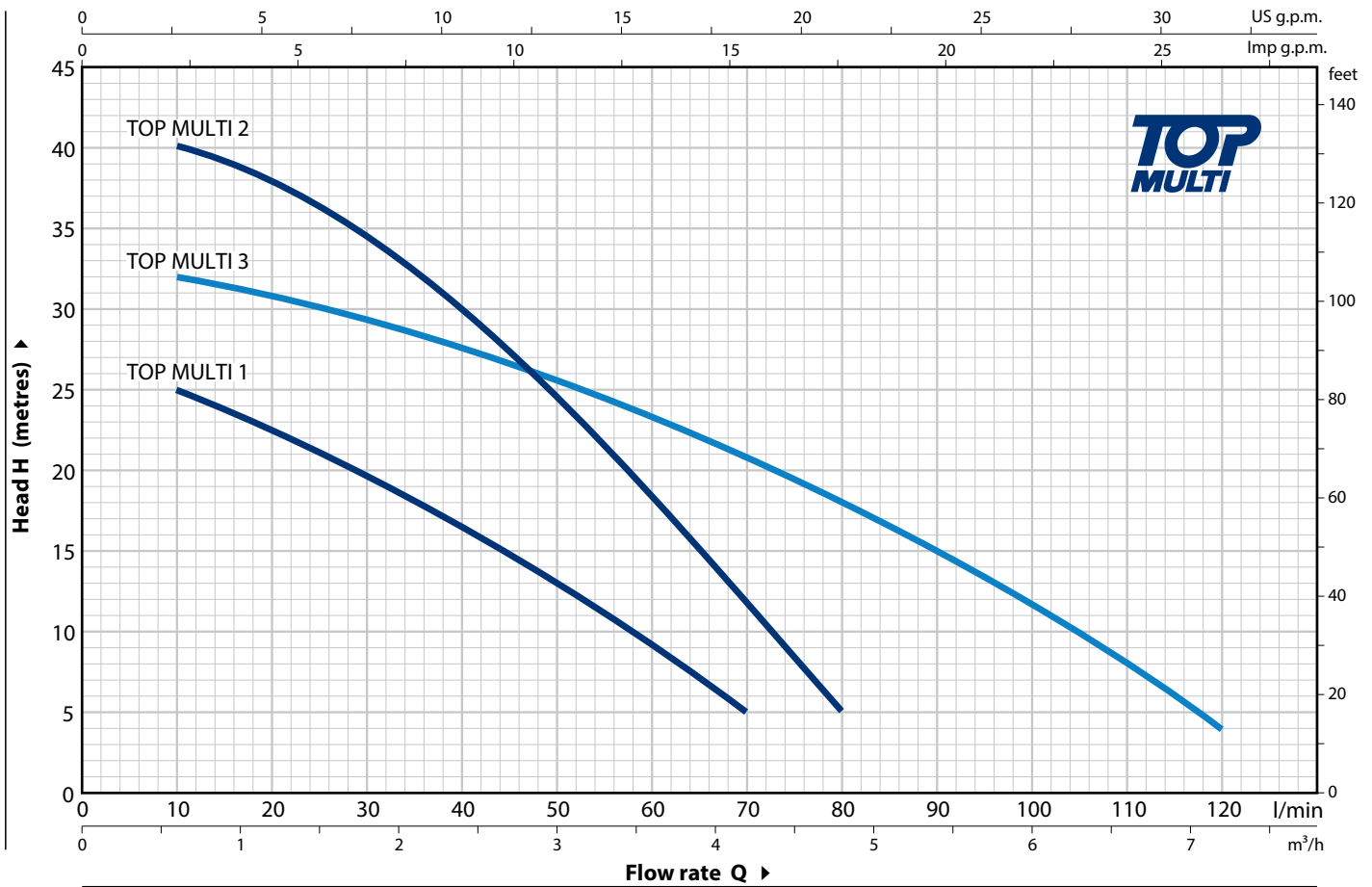
- Registered EU Design n. 000885587 for TOP MULTI 2-3
- TOP MULTI® Registered Trade Mark n. 0001334477

### OPTIONS AVAILABLE ON REQUEST

- Pumps without float switch
- Other voltages or 60 Hz frequency

## CHARACTERISTIC CURVES AND PERFORMANCE DATA

50 Hz n= 2900 min<sup>-1</sup>



| MODEL<br>Single-phase | POWER (P <sub>2</sub> ) |      | Q        | 0  | 0.6 | 1.2  | 1.8  | 2.4  | 3.0  | 3.6 | 4.2  | 4.8 | 5.4 | 6.0 | 6.6 | 7.2 |
|-----------------------|-------------------------|------|----------|----|-----|------|------|------|------|-----|------|-----|-----|-----|-----|-----|
|                       | kW                      | HP   |          | 0  | 10  | 20   | 30   | 40   | 50   | 60  | 70   | 80  | 90  | 100 | 110 | 120 |
| TOP MULTI 1           | 0.37                    | 0.50 | H metres | 27 | 25  | 22.5 | 19.5 | 16.5 | 13   | 9   | 5    |     |     |     |     |     |
| TOP MULTI 2           | 0.55                    | 0.75 |          | 42 | 40  | 38   | 34   | 30   | 24   | 18  | 11.5 | 5   |     |     |     |     |
| TOP MULTI 3           | 0.55                    | 0.75 |          | 33 | 32  | 31   | 29.5 | 28   | 25.5 | 23  | 20.5 | 18  | 15  | 12  | 8   | 4   |

Q = Flow rate H = Total manometric head

Tolerance of characteristic curves in compliance with EN ISO 9906 Grade 3B.

  = Stocked in Australia

Other models available upon request with 6 to 8 weeks lead time.

# TOP MULTI 1

## POS. COMPONENT

## CONSTRUCTION CHARACTERISTICS

|   |                                 |  |
|---|---------------------------------|--|
| 1 | <b>PUMP BODY</b>                | Glass fibre reinforced technopolymer complete with threaded delivery port in compliance with ISO 228/1 |
| 2 | <b>SUCTION FILTER</b>           | Glass fibre reinforced technopolymer   |
| 3 | <b>STAGE CASING</b>             | Glass fibre reinforced technopolymer   |
| 4 | <b>IMPELLERS</b>                | Noryl FE1520PW   |
| 5 | <b>DIFFUSER AND STAGE BOXES</b> | Noryl FE1520PW complete with anti-wear ring  |
| 6 | <b>VANE DIFFUSER</b>            | Glass fibre reinforced technopolymer   |
| 7 | <b>MOTOR CASING</b>             | Stainless steel AISI 304   |
| 8 | <b>MOTOR CASING PLATE</b>       | Stainless steel AISI 304   |
| 9 | <b>MOTOR SHAFT</b>              | Stainless steel AISI 431   |

### 10 SHAFT WITH DOUBLE SEAL AND OIL CHAMBER

| Seal<br>Model | Shaft<br>Diameter | Materials       |                 |           |          |
|---------------|-------------------|-----------------|-----------------|-----------|----------|
|               |                   | Stationary ring | Rotational ring | Elastomer | Metals   |
| STA-12R       | Ø 12 mm           | Ceramic         | Graphite        | NBR       | AISI 304 |

11 **LIP SEAL**                      **Ø 12 x Ø 19 x H 5 mm**

12 **BEARINGS**                      **6201 ZZ - C3E / 6201 ZZ - C3E**

### 13 CAPACITOR

| Capacitance<br>(230 V or 240 V) | (110 V)      |
|---------------------------------|--------------|
| 10 µF 450 VL                    | 16 µF 250 VL |

### 14 ELECTRIC MOTOR

**TOP MULTI 1:** single-phase 230 V - 50 Hz with thermal overload protector incorporated into the winding.

- Insulation: class F
- Protection: IP X8

### 15 HANDLE ASSEMBLY (resin sealed)

- Complete with:
- **10 metres** long "H07 RN-F" power cable with Schuko plug
  - Float switch

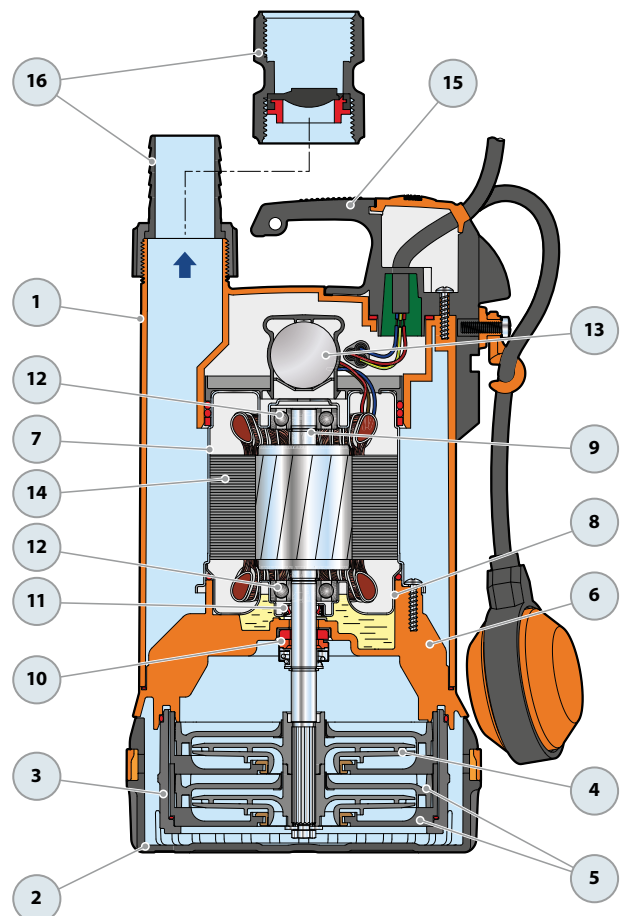
### 16 HOSE CONNECTOR WITH RING NUT

Ø 35 mm hose connection

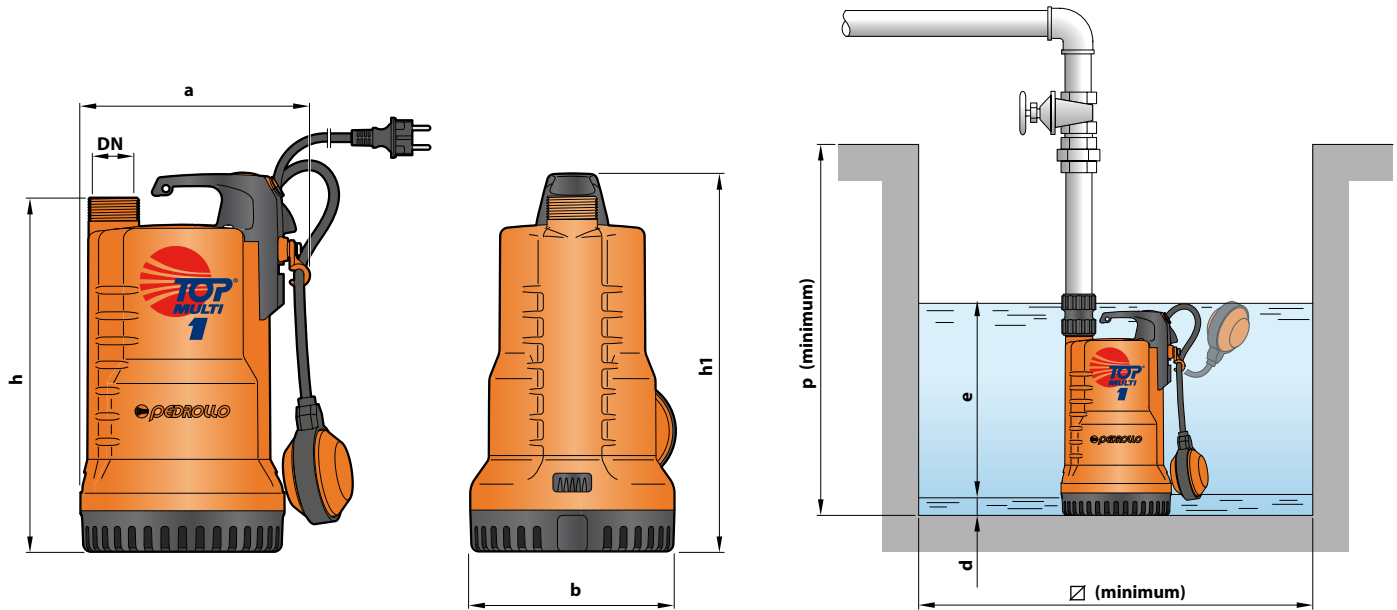
#### PIPE COUPLING

Threaded 1¼" in compliance with ISO 228/1, complete with flap-check valve

(Included in the equipment)



## DIMENSIONS AND WEIGHT



| MODEL              | PORT<br>DN | N.<br>STAGES | DIMENSIONS mm |            |            |            |           |                 |            |            | kg         |  |
|--------------------|------------|--------------|---------------|------------|------------|------------|-----------|-----------------|------------|------------|------------|--|
|                    |            |              | a             | b          | h          | h1         | d         | e               | p          | ∅          |            |  |
| Single-phase       | DN         |              |               |            |            |            |           |                 |            |            |            |  |
| <b>TOP MULTI 1</b> | <b>1¼"</b> | <b>2</b>     | <b>192</b>    | <b>170</b> | <b>295</b> | <b>315</b> | <b>25</b> | <b>variable</b> | <b>350</b> | <b>350</b> | <b>6.8</b> |  |

## ABSORPTION

| MODEL              | VOLTAGE      |              |              |
|--------------------|--------------|--------------|--------------|
|                    | 230 V        | 240 V        | 110 V        |
| Single-phase       |              |              |              |
| <b>TOP MULTI 1</b> | <b>2.0 A</b> | <b>2.0 A</b> | <b>4.0 A</b> |

## PALLETIZATION

| MODEL              | GROUPAGE  | CONTAINER  |
|--------------------|-----------|------------|
| Single-phase       | n. pumps  | n. pumps   |
| <b>TOP MULTI 1</b> | <b>60</b> | <b>100</b> |

# TOP MULTI 2-3

## POS. COMPONENT CONSTRUCTION CHARACTERISTICS

|   |  |  |
|---|--|--|
| 1 | <b>DELIVERY BODY</b>                       | Glass fibre reinforced technopolymer complete with threaded delivery port in compliance with ISO 228/1 |
| 2 | <b>PUMP BODY AND SUCTION FILTER</b>        | Glass fibre reinforced technopolymer   |
| 3 | <b>DIFFUSER</b>                            | Glass fibre reinforced technopolymer   |
| 4 | <b>MOTOR SLEEVE AND MOTOR CASING PLATE</b> | Stainless steel AISI 304   |
| 5 | <b>IMPELLERS</b>                           | Noryl FE1520PW   |
| 6 | <b>DIFFUSERS</b>                           | Noryl complete with anti-wear ring   |
| 7 | <b>MOTOR SHAFT</b>                         | Stainless steel AISI 431   |

### 8 TWO MECHANICAL SEALS SEPARATED BY AN OIL CHAMBER

| Seal Model | Shaft Diameter | Position   | Materials       |                 |           |
|------------|----------------|------------|-----------------|-----------------|-----------|
|            |                |            | Stationary ring | Rotational ring | Elastomer |
| STA-13R    | Ø 13 mm        | Motor side | Ceramic         | Graphite        | NBR       |
| STA-12R SG | Ø 12 mm        | Pump side  | Silicon carbide | Graphite        | NBR       |

### 9 BEARINGS 6202 ZZ - C3 / 6201 ZZ

### 10 CAPACITOR

#### Capacitance

|                  |              |
|------------------|--------------|
| (230 V or 240 V) | (110 V)      |
| 12.5 µF 450 VL   | 30 µF 250 VL |

### 11 ELECTRIC MOTOR

**TOP MULTI:** single-phase 230 V - 50 Hz with thermal overload protector incorporated into the winding.

- Insulation: class F
- Protection: IP X8

### 12 POWER CABLE

"H07 RN-F" with Schuko plug

**Standard length 10 metres**

### 13 FLOAT SWITCH

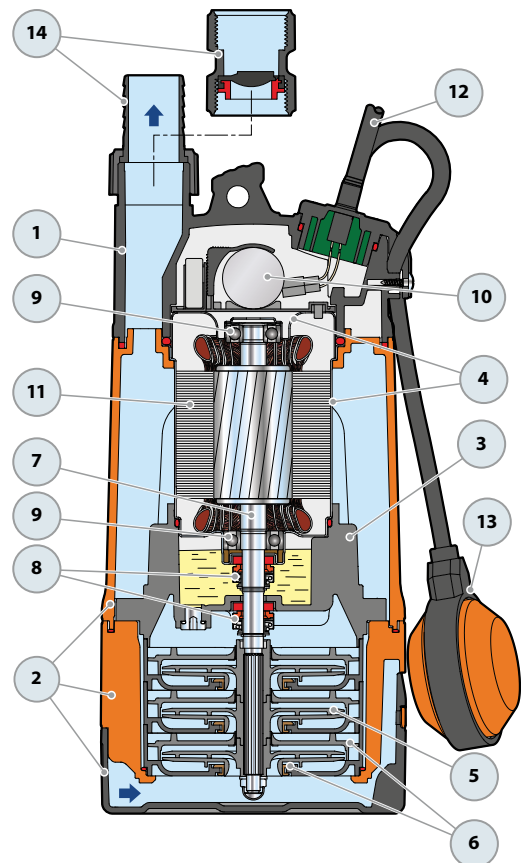
### 14 HOSE CONNECTOR WITH RING NUT

Ø 35 mm hose connection

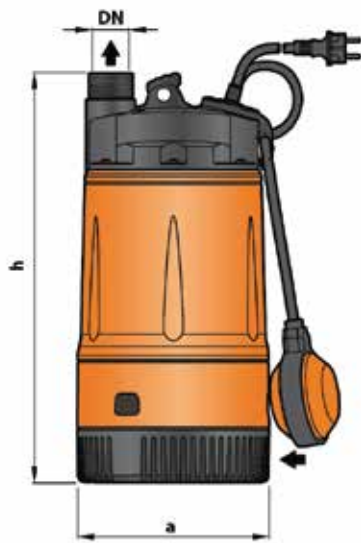
#### PIPE COUPLING

Threaded 1¼" in compliance with ISO 228/1, complete with flap-check valve

(Included in the equipment)



## DIMENSIONS AND WEIGHT



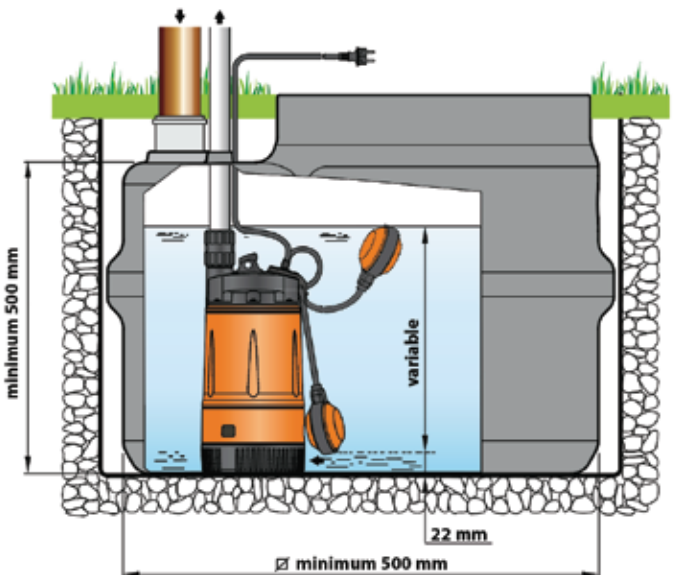
### Standard installation



| MODEL        | PORT   | N. STAGES | DIMENSIONS mm |     | kg  |
|--------------|--------|-----------|---------------|-----|-----|
|              |        |           | a             | h   |     |
| Single-phase | DN     |           |               |     |     |
| TOP MULTI 2  | 1 1/4" | 3         | 178           | 380 | 9.2 |
| TOP MULTI 3  |        |           |               |     | 9.3 |

## ABSORPTION

| MODEL        | VOLTAGE |       |       |
|--------------|---------|-------|-------|
|              | 230 V   | 240 V | 110 V |
| Single-phase |         |       |       |
| TOP MULTI 2  | 3.4 A   | 3.3 A | 6.6 A |
| TOP MULTI 3  | 3.6     | 3.5 A | 7.2 A |



## PALLETIZATION

| MODEL        | GROUPAGE | CONTAINER |
|--------------|----------|-----------|
|              | n. pumps | n. pumps  |
| Single-phase |          |           |
| TOP MULTI 2  | 60       | 80        |
| TOP MULTI 3  | 60       | 80        |