

Submersible multi-stage pumps designed to pump AdBlue®



### PERFORMANCE RANGE

- Flow rate up to **70 l/min** (4.2 m<sup>3</sup>/h)
- Head up to **27 m**

### APPLICATION LIMITS

- **3 metres** maximum immersion depth (with a sufficiently long power cable)
- Maximum liquid temperature **+40 °C**
- Suction down to **25 mm** above ground level
- Continuous service **S1**

### CONSTRUCTION AND SAFETY STANDARDS

The pump is complete with:

- **5 metres** long power cable with H07BN4-F coating
- complete connector with flap-check valve

EN 60335-1  
IEC 60335-1  
CEI 61-150

EN 60034-1  
IEC 60034-1  
CEI 2-3



### CERTIFICATIONS

Company with management system certified DNV  
ISO 9001: QUALITY



### INSTALLATION AND USE

Multistage submersible pumps **TOP MULTI 1-AD** are designed to pump clean liquid, which is defined according to standard ISO 22241 as AUS 32 (Aqueous Urea Solution 32.5%).

This liquid is equivalent to other commercial trademarks known as:

- **AdBlue®** (trademark registered by Verband der Automobilindustrie VDA);
- **DEF** (Diesel Exhaust Fluid);
- **Arla 32** (Agente Redutor Liquido de Óxido de Nitrogênio Automotivo).

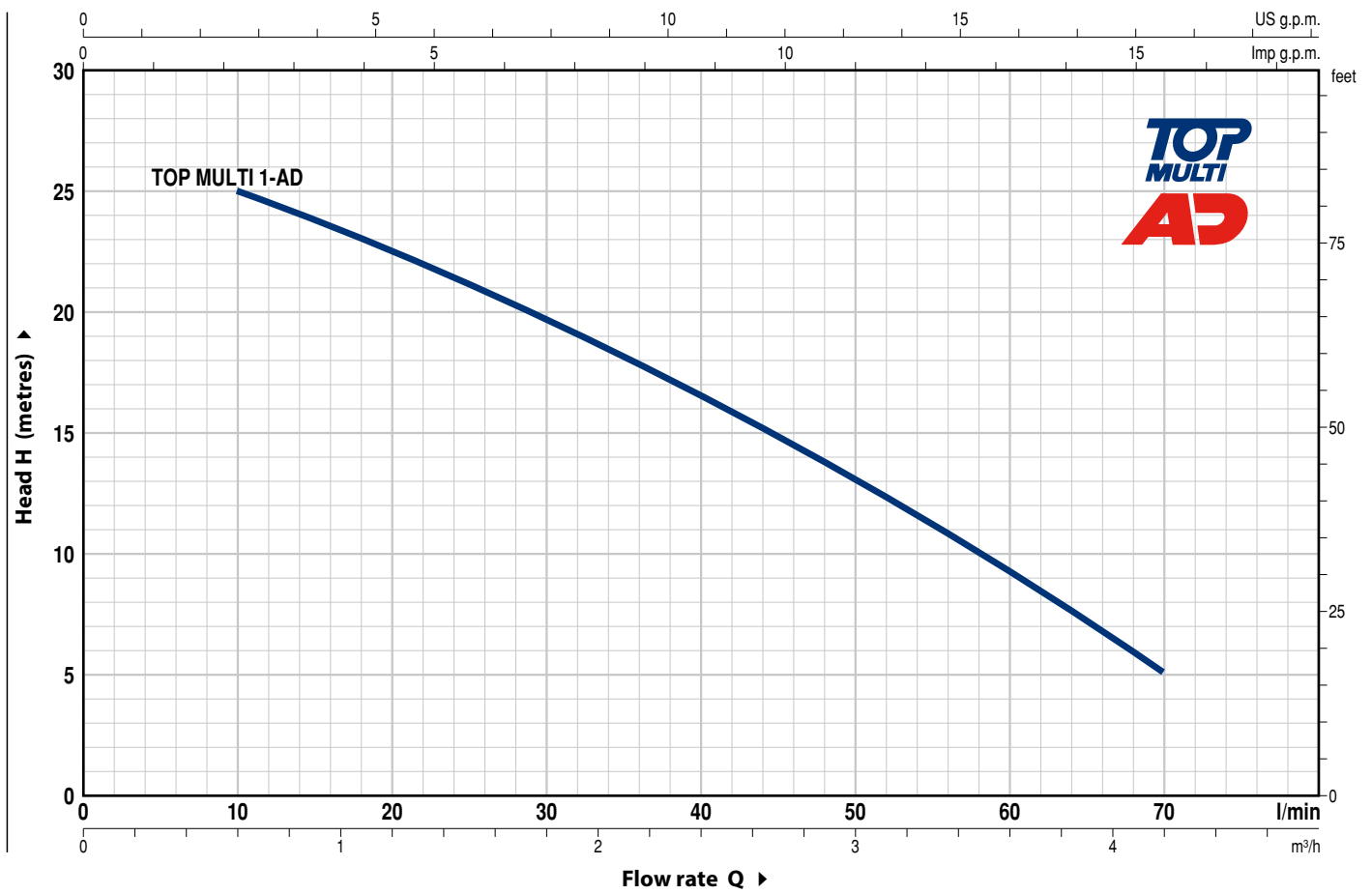
Multistage submersible pumps **TOP MULTI-AD** are designed using materials compliant to this liquid; their use is subjected to local laws and directives.

### OPTIONS AVAILABLE ON REQUEST

- Other voltages or 60 Hz frequency

**CHARACTERISTIC CURVES AND PERFORMANCE DATA**

**50 Hz n= 2900 min<sup>-1</sup>**



MODEL	POWER (P <sub>2</sub> )		Q	0	0.6	1.2	1.8	2.4	3.0	3.6	4.2
	kW	HP		0	10	20	30	40	50	60	70
Single-phase											
<b>TOP MULTI 1-AD</b>	0.37	0.50	<b>H metres</b>	27	25	22.5	19.5	16.5	13	9	5

Q = Flow rate H = Total manometric head

Tolerance of characteristic curves in compliance with EN ISO 9906 Grade 3B.

# TOP MULTI-AD

## POS. COMPONENT

## CONSTRUCTION CHARACTERISTICS

1	<b>DELIVERY BODY</b>	Glass fibre reinforced technopolymer complete with threaded delivery port in compliance with ISO 228/1
2	<b>SUCTION FILTER</b>	Glass fibre reinforced technopolymer
3	<b>STAGE CASING</b>	Glass fibre reinforced technopolymer
4	<b>IMPELLER</b>	Noryl FE1520PW
5	<b>DIFFUSER</b>	Noryl FE1520PW complete with anti-wear ring
6	<b>VANE DIFFUSER</b>	Glass fibre reinforced technopolymer
7	<b>MOTOR CASING</b>	Stainless steel AISI 304
8	<b>MOTOR CASING PLATE</b>	Stainless steel AISI 304
9	<b>MOTOR SHAFT</b>	Stainless steel AISI 431

## 10 SHAFT WITH DOUBLE SEAL

<i>Seal</i>	<i>Shaft</i>	<i>Materials</i>			
<i>Model</i>	<i>Diameter</i>	<i>Stationary ring</i>	<i>Rotational ring</i>	<i>Elastomer</i>	<i>Metals</i>
STA-12R SGE	Ø 12 mm	Silicon carbide	Graphite	EPDM	AISI 304

## 11 LIP SEAL

Ø 12 x Ø 19 x H 5 mm

## 12 BEARINGS

6201 ZZ - C3E / 6201 ZZ - C3E

## 13 CAPACITOR

### Capacitance

(230 V or 240 V)	(110 V)
10 µF 450 VL	16 µF 250 VL

## 14 ELECTRIC MOTOR

**TOP MULTI 1-AD:** single-phase 230 V - 50 Hz with thermal overload protector incorporated into the winding.

- Insulation: class F
- Protection: IP X8

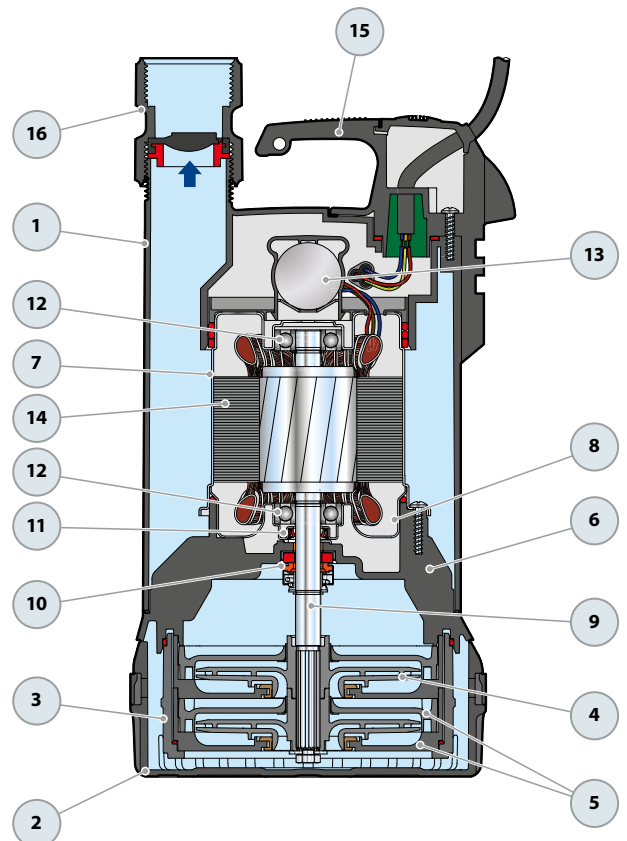
## 15 HANDLE ASSEMBLY (resin sealed)

Complete with **5 metres** long "H07BN4-F" power cable

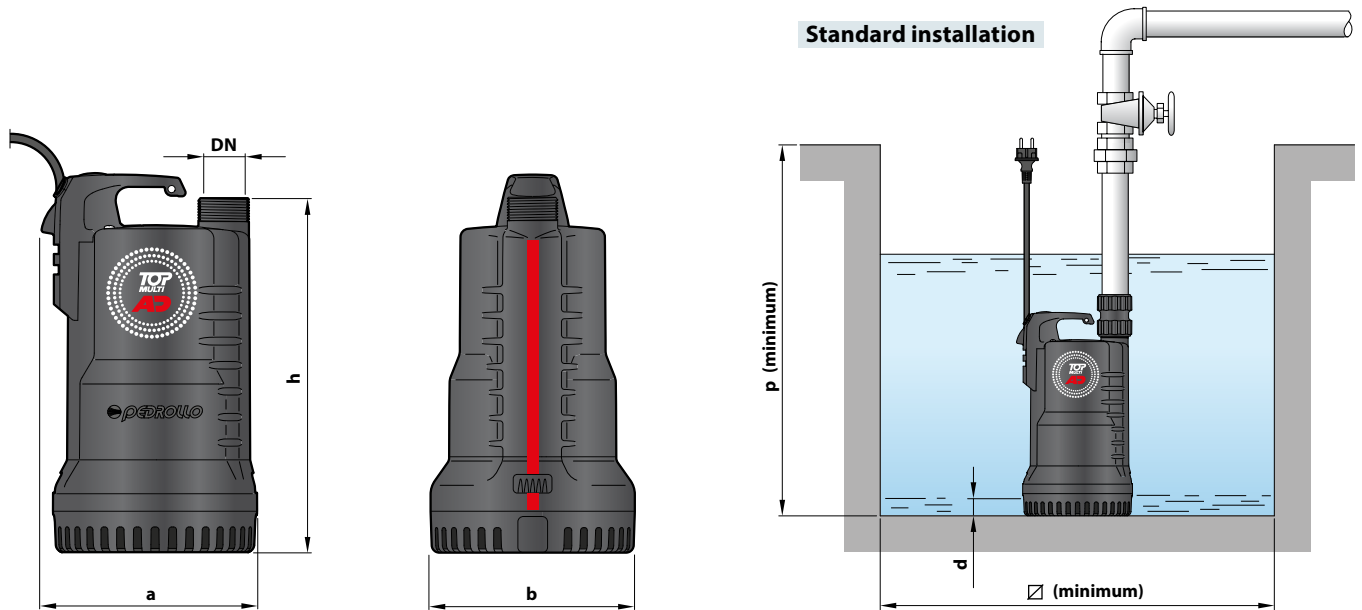
## 16 PIPE COUPLING

Threaded 1¼" in compliance with ISO 228/1, complete with flap-check valve

(Included in the equipment)



## DIMENSIONS AND WEIGHT



MODEL	PORT DN	N. STAGES	DIMENSIONS mm					kg
			a	b	h	d	∅	
Single-phase	DN							
TOP MULTI 1-AD	1¼"	2	180	170	295	25	220	5.8

## ABSORPTION

MODEL	VOLTAGE		
	Single-phase	230 V	240 V
TOP MULTI 1-AD	2.0 A	1.9 A	4.0 A

## PALLETIZATION

MODEL	GROUPAGE	CONTAINER
Single-phase	n. pumps	n. pumps
TOP MULTI 1-AD	60	100