

MHR20-JC1

RAIN / MAINS CHANGEOVER SYSTEM

 Clean water

 Domestic use



PERFORMANCE RANGE

- Flow rate up to **60 l/min** (3.6 m³/h)
- Head up to **48 m**

APPLICATION LIMITS

- Manometric suction lift up to **9 m** (HS)
- Liquid temperature between **-10 °C** and **+40 °C**
- Ambient temperature up to **+40 °C**
- Max. working pressure **6 bar**
- Continuous service **S1**

CONSTRUCTION AND SAFETY STANDARDS

EN 60335-1
IEC 60335-1
CEI 61-150

EN 60034-1
IEC 60034-1
CEI 2-3



CERTIFICATIONS

Company with management system certified DNV
ISO 9001: QUALITY



INSTALLATION AND USE

- The MHR20 Series is a fully Automatic Hydraulic Rain / Mains water changeover device designed for pressure pump supply systems in harvesting rainwater for the toilet, laundry and household applications with automatic mains backup.
- The MHR20 Valve is designed to operate with an electronic pressure controller with auto restart not requiring a float switch. This design makes the MHR20 System very simple to install.
- The MHR20 Valve comes with 3/4" outlet, which makes the system ideal for domestic applications. Certified to: WaterMark ATS 5200.477 WMK 60075 Complies with AS/NZS 3500.1 when installed by a licensed plumber. Note: Should the static mains supply be greater than 400 kPa above the supply pressure of the pump the device will not completely isolate mains water.

PATENTS - TRADE MARKS - MODELS

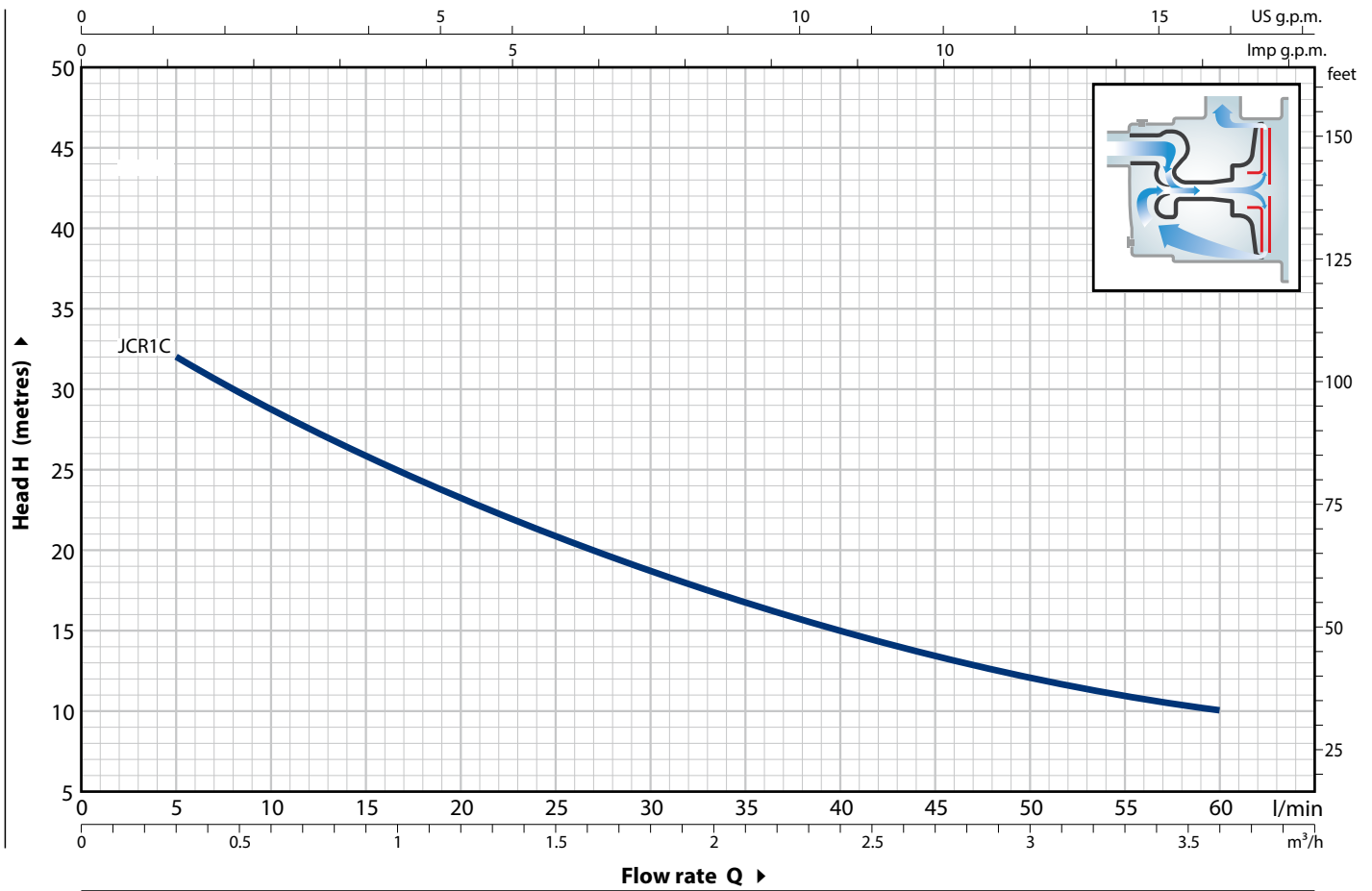
- European Patent n. 1 510 696

OPTIONS AVAILABLE ON REQUEST

- Other voltages or 60 Hz frequency

CHARACTERISTIC CURVES AND PERFORMANCE DATA

50 Hz n= 2900 min⁻¹ HS= 0 m



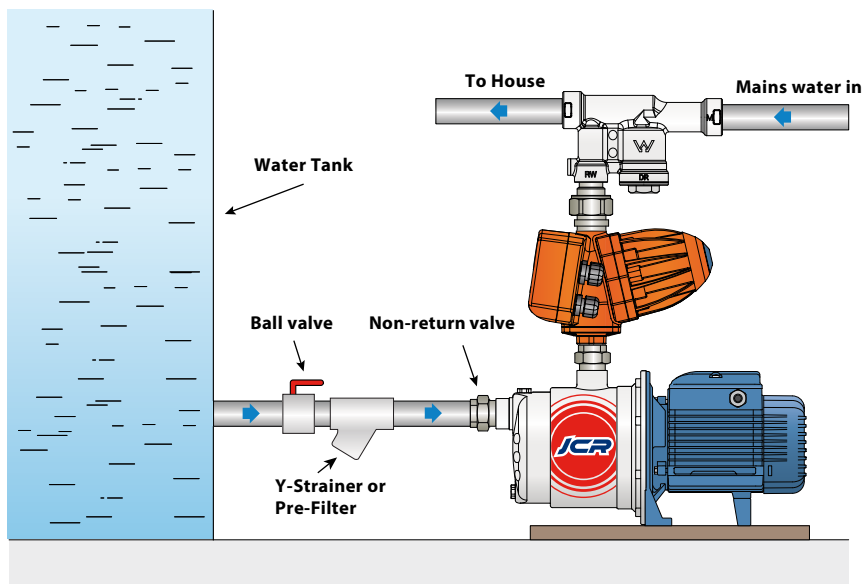
MODEL	POWER (P ₂)			Q	Flow rate												
	kW	HP	▲		0	0.3	0.6	1.2	1.5	1.8	2.4	2.7	3.0	3.6			
Single-phase				l/min	0	5	10	20	25	30	40	45	50	60			
MHR20-JC1	0.55	0.75	IE3	H metres	48	43	39	31.5	28.5	26	22	20.5	19	17			

Q = Flow rate H = Total manometric head HS = Suction height

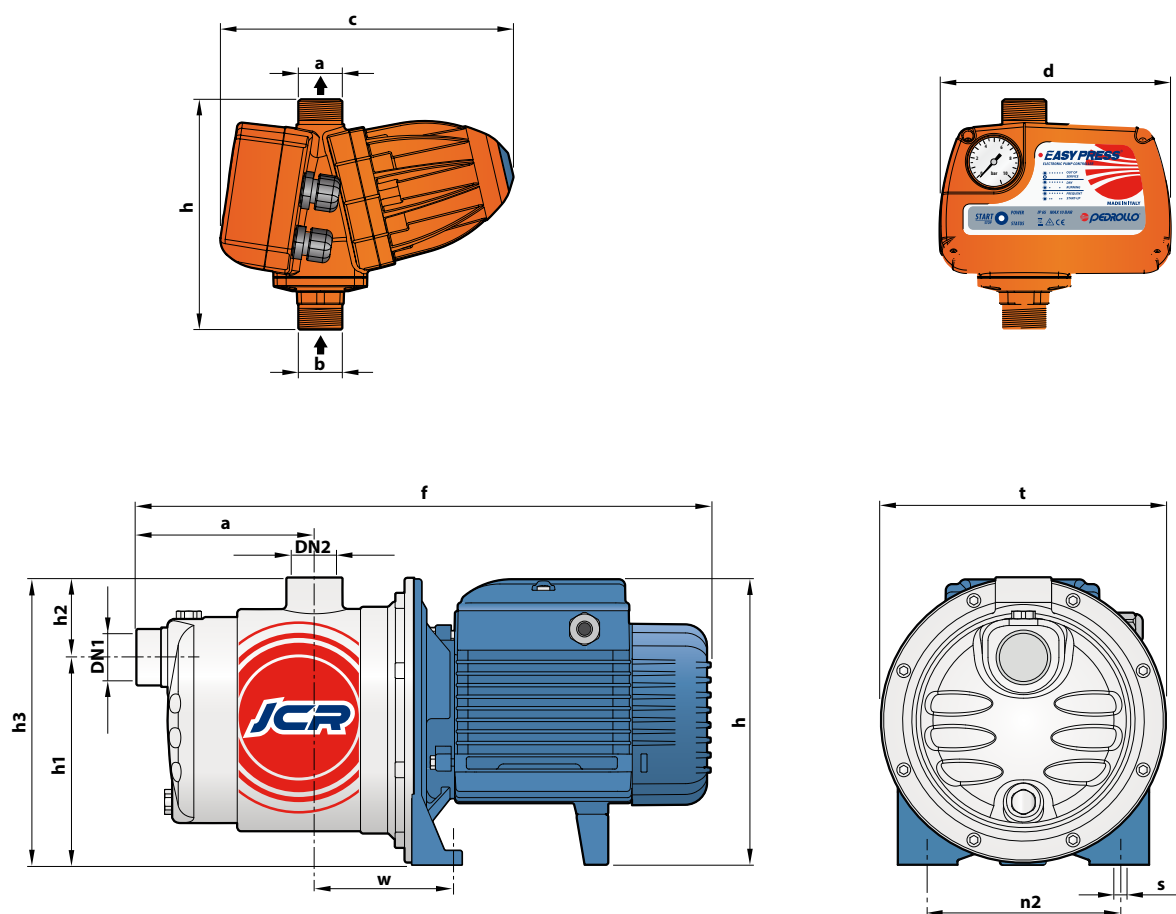
Tolerance of characteristic curves in compliance with EN ISO 9906 Grade 3B.

▲ Three-phase motor efficiency class (IEC 60034-30-1)

STANDARD INSTALLATION



DIMENSIONS AND WEIGHT



MODEL	PORTS		DIMENSIONS mm										kg	
	DN1	DN2	a	f	h	h1	h2	h3	t	n2	w	s	1~	3~
JCRm 1A	1"	1"	113	367	183	132	51	183	182	120	87	9	7.6	6.9

MODEL	PORTS		DIMENSIONS mm			kg
	a	b	c	d	h	
EASYPRESS	1"	1"	221	175	174	1.63

ABSORPTION

MODEL	VOLTAGE		
	230 V	240 V	110 V
JCRm 1A	3.6 A	3.3 A	7.3 A