

# SUBMERSIBLE PUMPS

## Heavy Duty Wastewater Submersibles

### HW SERIES

## PRODUCT OVERVIEW

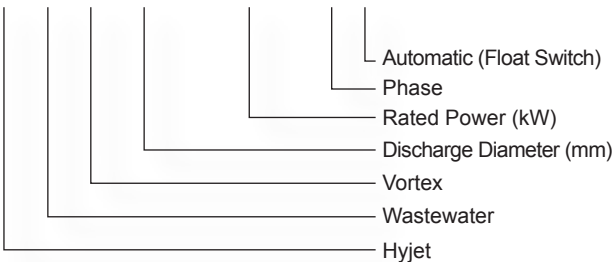
HYJETS new generation of drainage and wastewater submersible pumps are developed with the highest quality and professional technology. The HW Series are available in a variety of non-clogging impeller designs to meet any drainage and wastewater application.

## PUMP

- Max. immersion depth: 5m
- Max. liquid temperature: +40oC
- Liquid PH value: 4-10 3 3
- Max. liquid density: 1.2x10 kg/m
- Power Range: 0.37kW - 4kW

## IDENTIFICATION CODES

### HWV50-037-1A



### REPLACEABLE CABLE DESIGN

The unique cable design reduces the maintenance cost to a minimum. If the cable is damaged, either by a grease attack or corrosion from general wear and tear, it can be easily removed and replaced without dismantling the pump. Cable sleeve is epoxy resin filled for reliability.

## A VARIETY OF IMPELLERS ARE AVAILABLE FOR DIFFERENT WASTEWATER SOLUTIONS:

### G TYPE IMPELLER

Semi-open impeller with grinder system which grinds foreign material to avoid solids clogging. It's suitable for long distance delivery of sewage and wastewater applications.



### E TYPE IMPELLER

Enclosed Channel impeller, high efficiency and non-clogging design, is suitable for general wastewater and drainage.



### V TYPE IMPELLER

Semi-open Vortex impeller, allowing long fibrous materials and other solid waste to pass through without contact with the impeller.

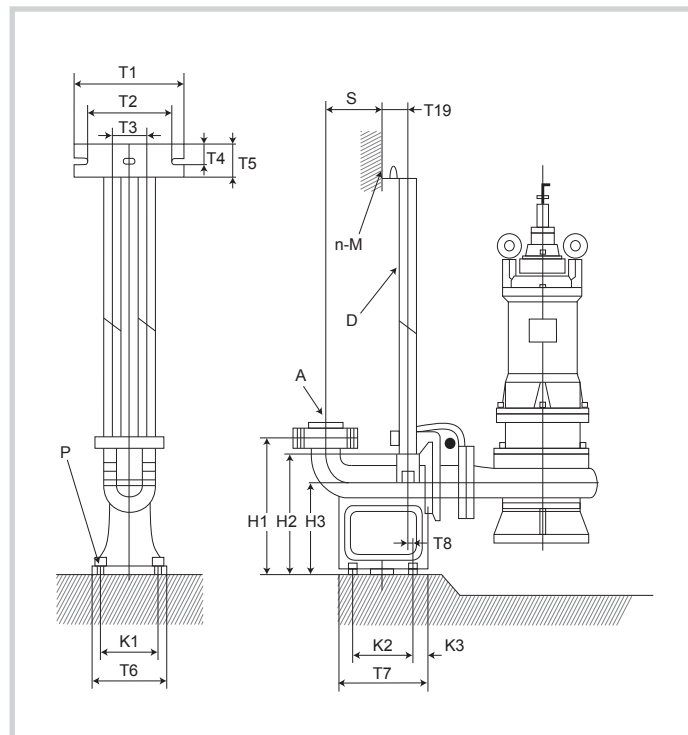
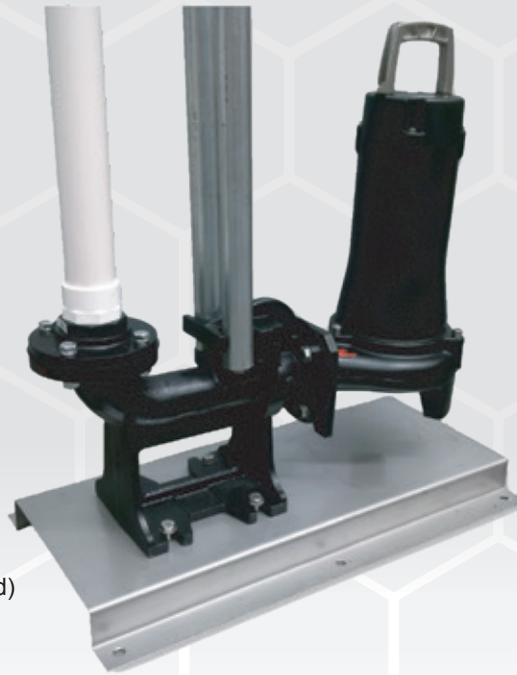


## GUIDE RAIL SYSTEMS

**SUITABLE FOR PUMPS WITH FLANGE CONFORMING SO7005-92 STANDARD. WHERE THE SEWAGE CONTAINS DIRT, CLOTH, FIBRE, ETC.**

**INCLUDES**

- Guide hook
  - Flange connector
  - Upper guide support
  - Bolts and lock washers
- (Foundation bolts and guide pipes are not included)



Model	T1	T2	T3	T4	T5	T6	T7	T8	T9	K1	K2	K3	S	H1	H2	H3	D	n-M	P	A
HGRK50-50	288	185	70	25	63	160	200	10	50	120	120	40	125	250	203	170	25	2=M10X40	M16	Ø110/4-Ø14
HGRK65-65	288	185	80	25	63	190	220	10	60	120	120	40	130	250	203	175	32	2=M10X40	M16	Ø130/4-Ø14
HGRK80-80	288	185	80	25	63	220	250	15	60	170	170	40	165	290	242	192	32	2=M10X40	M16	Ø150/4-Ø18

# SUBMERSIBLE PUMPS

## Enclosed-Channel Submersibles

### HWE SERIES

## HWE50/HWE65/ HWE80 CHANNEL PUMPS



### APPLICATION

- Heavy duty wastewater and sewage pumps
- Ideal for pumping sewage, stormwater and trade waste in domestic, commercial and industrial applications

### FEATURES

- High efficient and anti-clogging Enclosed Channel impeller design
- Heavy duty HT200 cast iron construction
- Stainless steel shaft
- Guide rail kits available for all models
- Thermal overload protection

### WORKING CONDITIONS

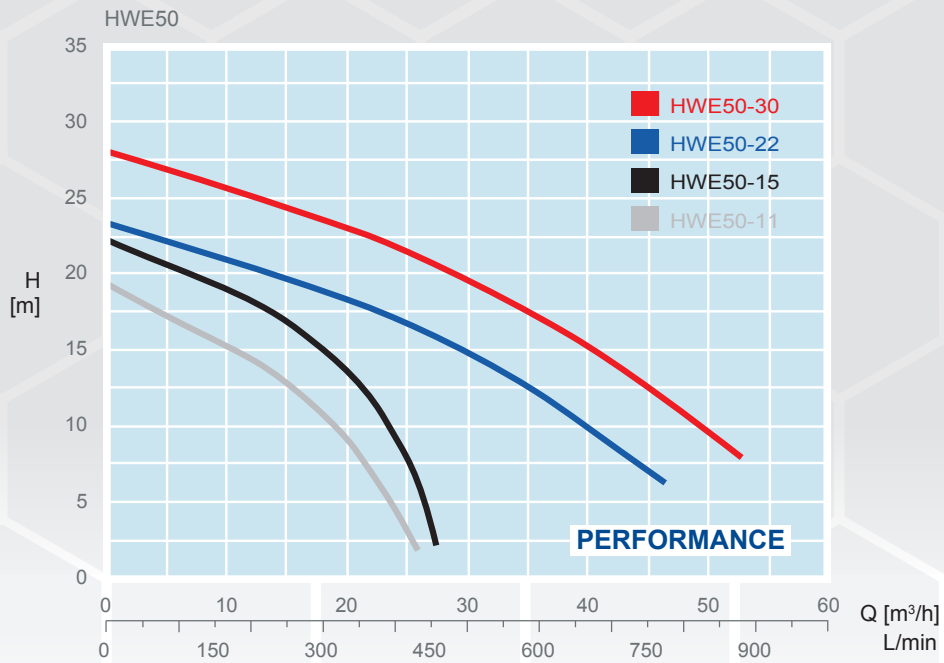
- Liquid Temperature: 0- 40 C (32-104 F)
- Max Immersion Depth: 5m

### MOTOR

- Frequency/Pole number: 50Hz/2
- Insulation Class: F
- Protection Class: IPX8
- Heavy Duty Ball Bearings
- Double silicon/carbon mechanical seals

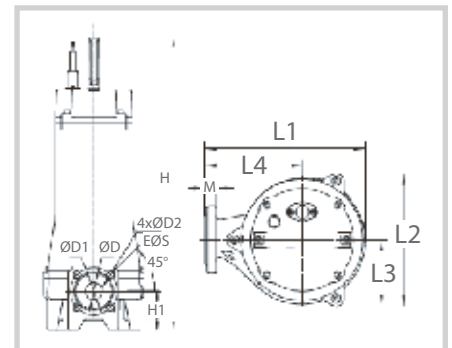
### TECHNICAL DATA

Model	Power kW (HP)	Discharge mm (inch)	Phase	Rated Flow (m <sup>3</sup> /h)	Rated Head	Solid Passage (mm)
HWE50-11-1A	1.1 (1.5)	50 (2")	1	8	16	15
HWE50-11-1	1.1 (1.5)	50 (2")	1	8	16	15
HWE50-11-3	1.1 (1.5)	50 (2")	3	8	16	15
HWE50-15-1	1.5 (2)	50 (2")	1	8	20	15
HWE50-15-3	1.5 (2)	50 (2")	3	8	20	15
HWE50-22-1	2.2 (3)	50 (2")	1	15	20	25
HWE50-22-3	2.2 (3)	50 (2")	3	15	20	25
HWE50-30-3	3 (4)	50 (2")	3	15	26	25



## DIMENSIONS

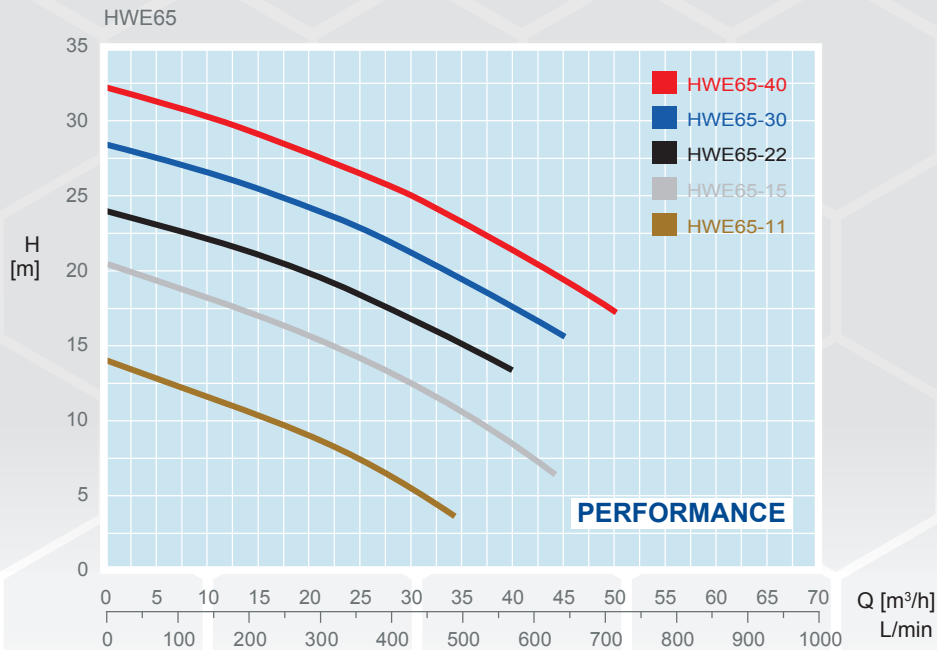
Model	Phase Ø	L1	L2	L3	L4	H	H1	D	D1	D2	M
HWE50-11-1A	1	223	191	96	135	559	88	50	110	14	16
HWE50-11-1	1	223	191	96	135	559	88	50	110	14	16
HWE50-11-3	3	223	191	96	135	559	88	50	110	14	16
HWE50-15-1	1	223	191	96	135	627	88	50	110	14	16
HWE50-15-3	3	223	191	96	135	586	88	50	110	14	16
HWE50-22-1	1	270	223	113	163	611	75	50	110	14	16
HWE50-22-3	3	270	223	113	163	570	75	50	110	14	16
HWE50-30-3	3	270	223	113	163	559	75	50	110	14	16



# SUBMERSIBLE PUMPS

## Enclosed-Channel Submersibles

### HWE SERIES

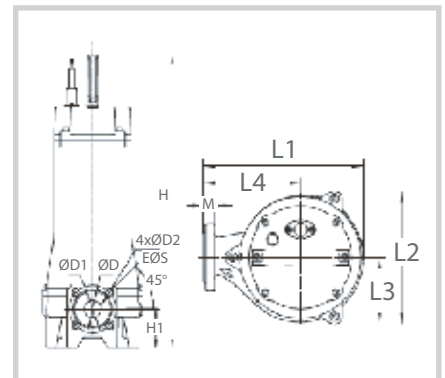


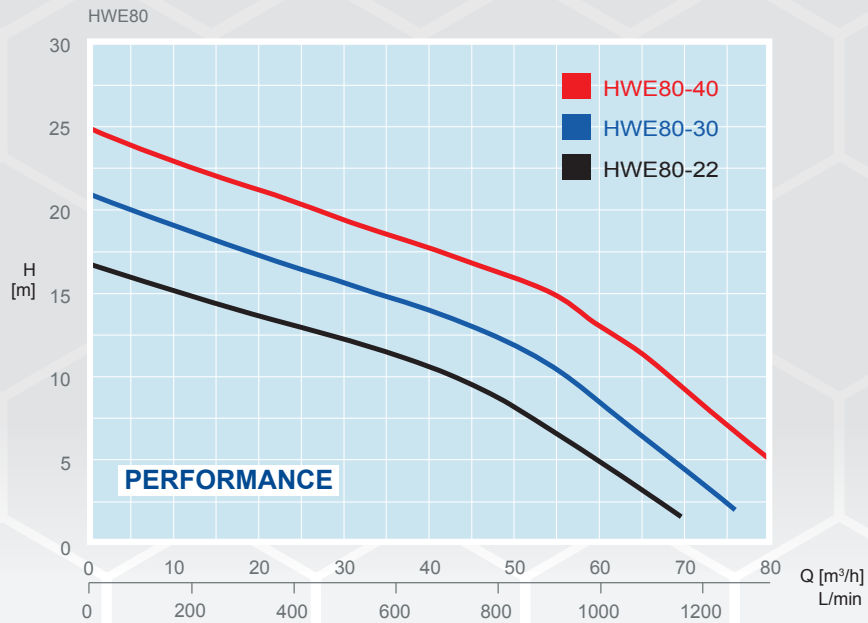
### TECHNICAL DATA

Model	Power kW (HP)	Discharge mm (inch)	Phase	Rated Flow (m³/h)	Rated Head	Solid Passage (mm)
HWE65-11-1A	1.1 (1.5)	65 (2.5")	1	15	10	25
HWE65-11-1	1.1 (1.5)	65 (2.5")	1	15	10	25
HWE65-11-3	1.1 (1.5)	65 (2.5")	3	15	10	25
HWE65-15-1	1.5 (2)	65 (2.5")	1	15	15	25
HWE65-15-3	1.5 (2)	65 (2.5")	3	15	15	25
HWE65-22-1	2.2 (3)	65 (2.5")	1	25	17	25
HWE65-22-3	2.2 (3)	65 (2.5")	3	25	17	25
HWE65-30-3	3 (4)	65 (2.5")	3	25	22	25
HWE65-40-3	4 (5.5)	65 (2.5")	3	25	28	25

### DIMENSIONS

Model	Phase Ø	L1	L2	L3	L4	H	H1	D	D1	D2	M
HWE65-11-1A	1	291	226	117	178	557	85	65	130	14	16
HWE65-11-1	1	291	226	117	178	557	85	65	130	14	16
HWE65-11-3	3	291	226	117	178	557	85	65	130	14	16
HWE65-15-1	1	291	226	117	178	662	85	65	130	14	16
HWE65-15-3	3	291	226	117	178	581	85	65	130	14	16
HWE65-22-1	1	291	226	117	178	581	85	65	130	14	16
HWE65-22-3	3	291	226	117	178	581	85	65	130	14	16
HWE65-30-3	3	291	226	117	178	610	85	65	130	14	16
HWE65-40-3	3	291	226	117	178	610	85	65	130	14	16





## TECHNICAL DATA

Model	Power kW (HP)	Discharge mm (inch)	Phase	Rated Flow (m³/h)	Rated Head	Solid Passage (mm)
HWE80-22-3	2.2 (3)	80 (3")	3	40	9	30
HWE80-30-3	3 (4)	80 (3")	3	40	13	30
HWE80-40-3	4 (5.5)	80 (3")	3	40	18	30

## DIMENSIONS

Model	Phase Ø	L1	L2	L3	L4	H	H1	D	D1	D2	M
HWE80-22-3	3	266	224	113	160	594	86	80	150	18	18
HWE80-30-3	3	266	224	113	160	620	86	80	150	18	18
HWE80-40-3	3	266	224	113	160	620	86	80	150	18	18

