

CIRCULATOR PUMPS

Hot Water Circulator Pump

HPD SERIES

HPD20-60-150S
HPD25-60-180S



APPLICATION

- Hot water circulating for domestic and commercial hot water systems
- Cold water circulating for air-conditioning and cooling systems

FEATURES

- In-line pump casing for easy installation
- Barrel unions on suction and delivery for easy install and maintenance
- 3-speed manual adjustment to suit various applications
- Manual bleed on start-up
- Low power consumption
- Reliable and maintenance free
- Quiet operation

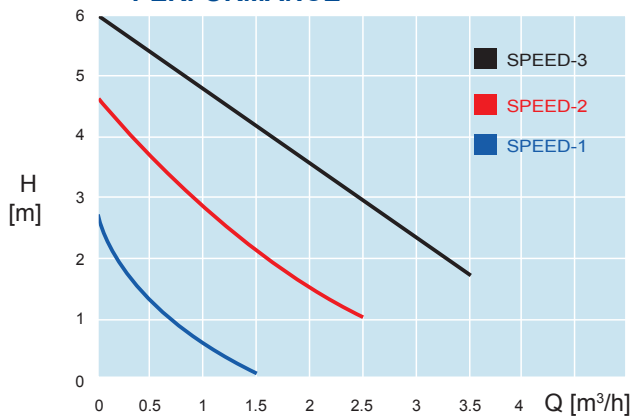
CONSTRUCTION

- Pump Casing: Stainless Steel
- Motor Shaft: Ceramic
- Impellers: PES Composite
- Bearings: Ceramic
- Seals: EPDM
- Motor IP44
- Insulation
- In-built capacitor and thermal protection

OPERATING LIMITS

- Clean water without abrasives or suspended solids
- Max. Liquid temperature 110°C
- Max. Ambient Temperature 40°C
- Max. Operating pressure 10 bar

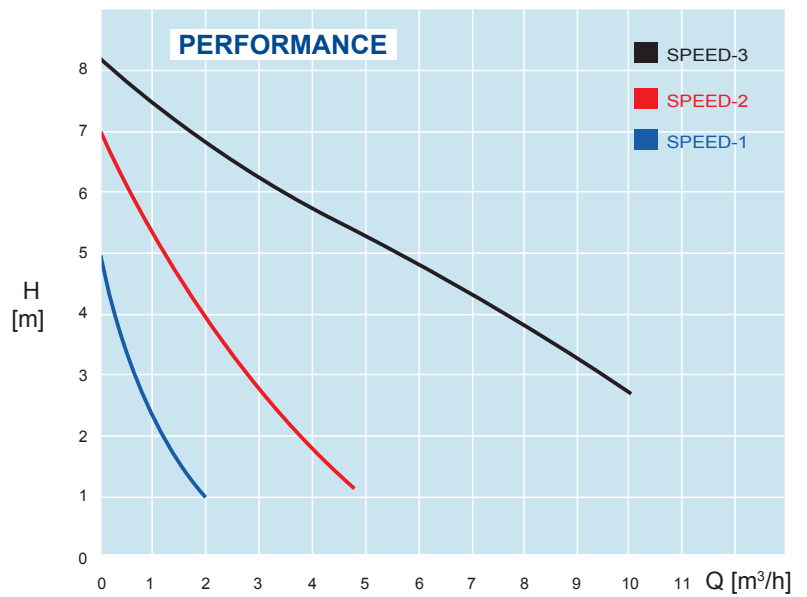
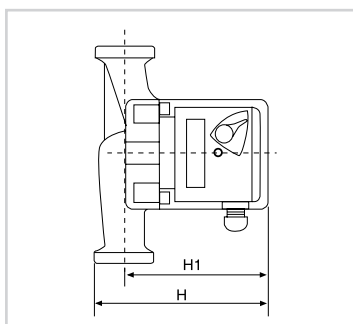
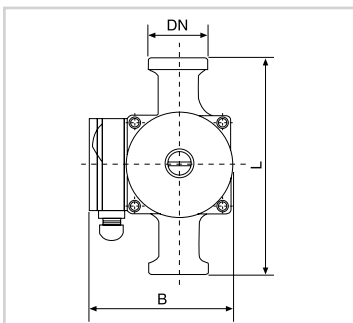
PERFORMANCE



DIMENSIONS

Pump Model	Size (mm)				DN	G.W (KG)
	H	H1	L	B		
HPD20-60-150S	130	105	150	130	G1"	2.9
HPD25-60-180S	130	105	180	130	G1½"	3.34
HPD32-80-180S	160	130	180	150	G2"	6

HPD32-80-180S



TECHNICAL DATA

Pump Model	Speed	Power (Watt)	Amp	Volts	Max. HEAD (m)	Max. FLOW (L/min)
HPD20-60-150S	3	100	0.45			
	2	70	0.35	240	6	58
	1	55	0.25			
HPD25-60-180S	3	100	0.45			
	2	70	0.35	240	6	58
	1	55	0.25			
HPD32-80-180S	3	245	1.1			
	2	190	0.95	240	8	166
	1	135	0.60			