



Peripheral positive displacement pumps with frontal suction for small household systems and simple industrial applications; characterised by a considerable ratio between performance and required output.

CONSTRUCTION FEATURES

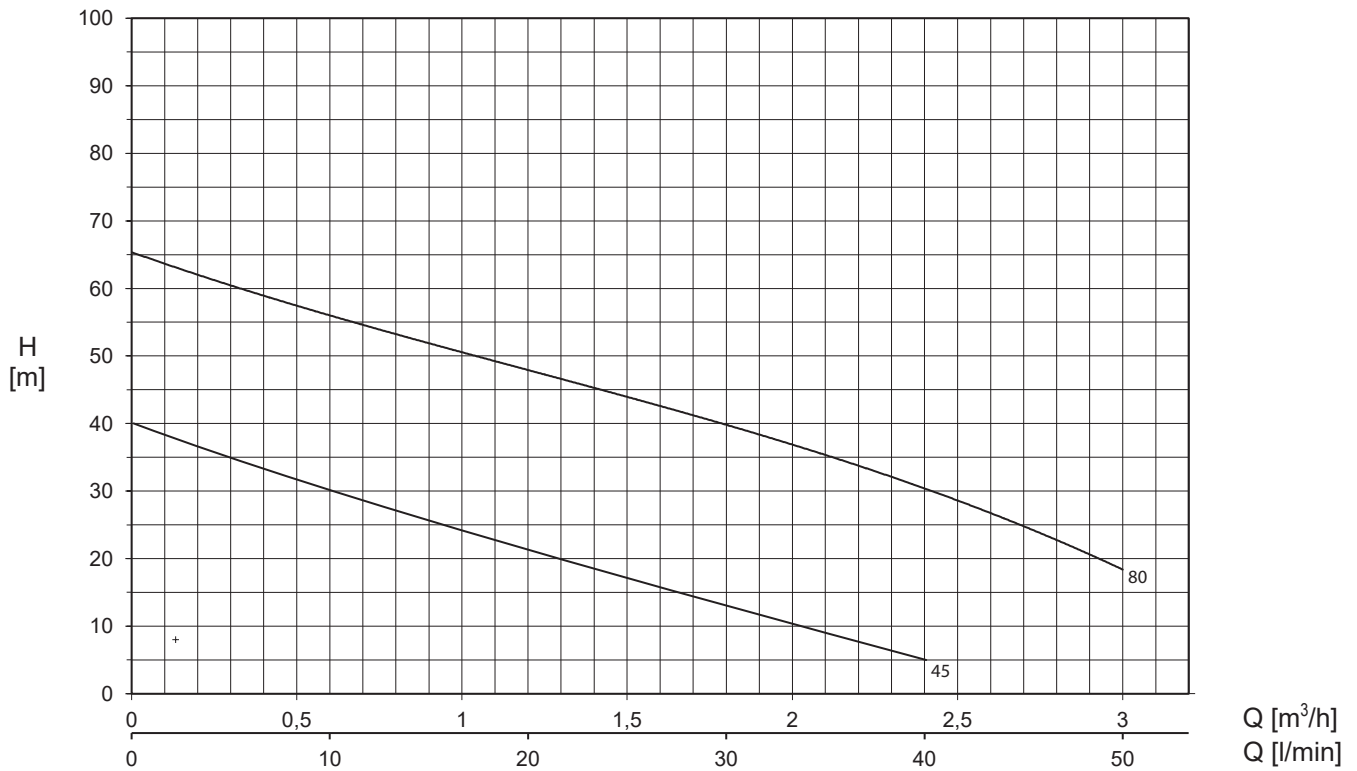
Pump body	Cast iron
Motor bracket	Cast iron, cast iron or bronze (PM 45BR)
Impeller	Brass
Mechanical seal	Ceramic-graphite
Motor shaft	Stainless steel AISI 416
Liquid temperature	0 - 90 °C
Operating pressure	Max 6 bar (PM 45) Max 8 bar (PM 65, PM 80)

MOTOR

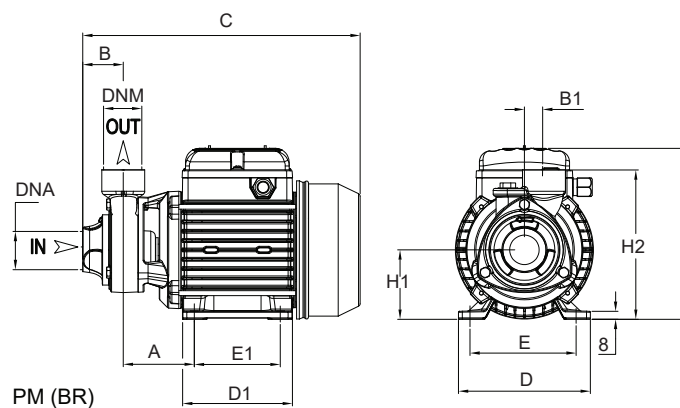
2 Pole induction motor	3~ 240/400V-50Hz 1~ 240V-50Hz With thermal protection
Insulation class	F
Protection degree	IP44

Code	Description
PM45	HYJET 0.37KW 240V Peripheral Pump with 2.5m Cable & 3 Pin Plug
PM80	HYJET 0.74KW 240V Peripheral Pump with 2.5m Cable & 3 Pin Plug

TECHNICAL DATA



TYPE		P2		P1 (kW)		AMPERE		Q (m³/h - l/min)							
1~	3~	(HP)	(kW)	1~	3~	1~	3~	0	0,3	0,6	1,2	1,8	2,4	2,7	3
						1x240 V 50 Hz	3x400 V 50 Hz	H (m)							
PM 45	PMT 45	0,5	0,37	0,5	0,5	2,3	1	40	35	30	21	13	5	-	-
PM 80	PMT 80	1	0,74	1,1	1,1	5,2	2	65	61	56	48	39	31	25,1	18



TYPE	DIMENSIONS (mm)																
	A	B	B1	C	D	D1	E	E1	F	H1	H2	DNA	DNM	I	L	M	Kg
PM 45	63	50	20	260	120	101	100	80	158	63	143	1"G	1"G	265	150	175	6,5
PM 80	71,5	50	20	294	135	112	112	89	172	71	160	1"G	1"G	300	170	195	10,5