



AVAILABLE WITH
PRESSURE CONTROLLER



Self-priming centrifugal pump for water supplies (even if mixed with gas) in small household systems, connected to autoclave tanks, for transferring liquids and emptying tanks; also used for gardening.

CONSTRUCTION FEATURES

Pump body Cast iron

Motor bracket Cast iron (CAM 100N÷140 / CAM 150÷300)

Impeller Noryl® or brass

Mechanical seal Ceramic-graphite

Motor shaft Stainless steel AISI 416

Liquid temperature 0 - 50 °C

Operating pressure Max 7 bar (CAM 100N÷140)

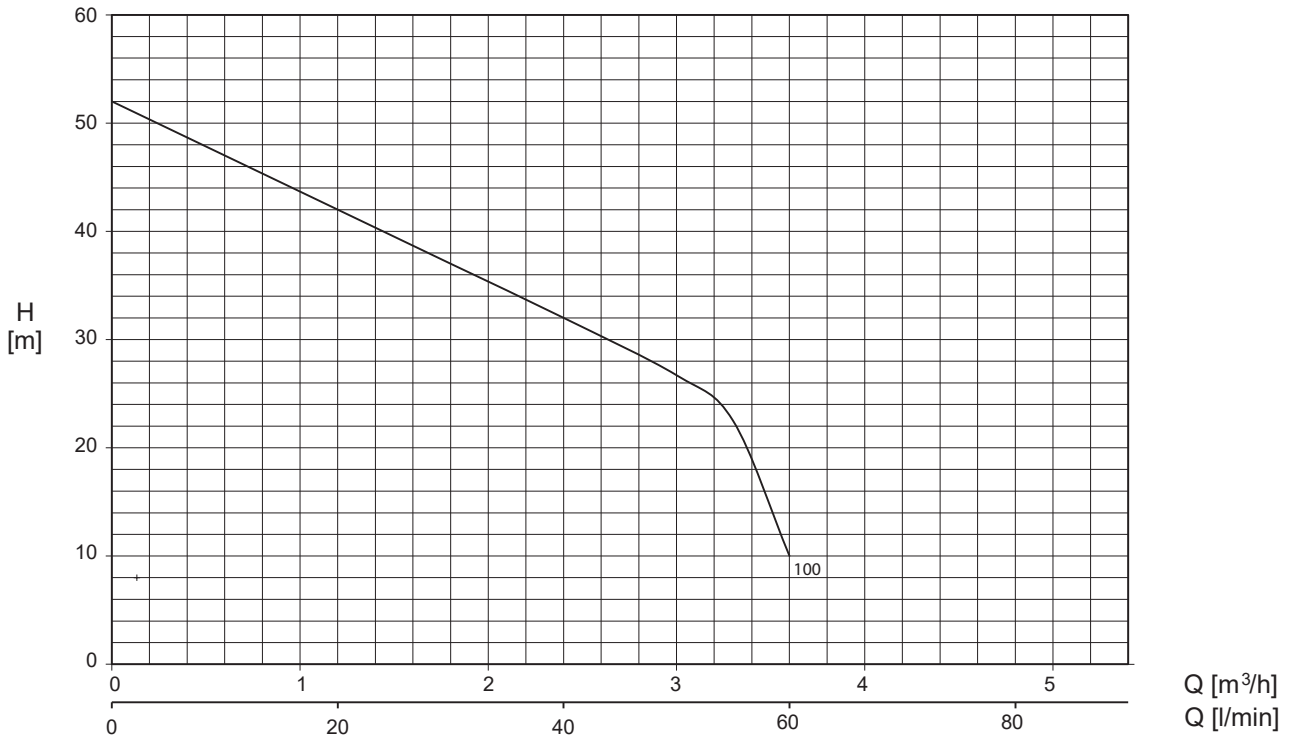
MOTOR

2 Pole induction motor 3~ 240/400V-50Hz
1~ 240V-50Hz
With thermal protection

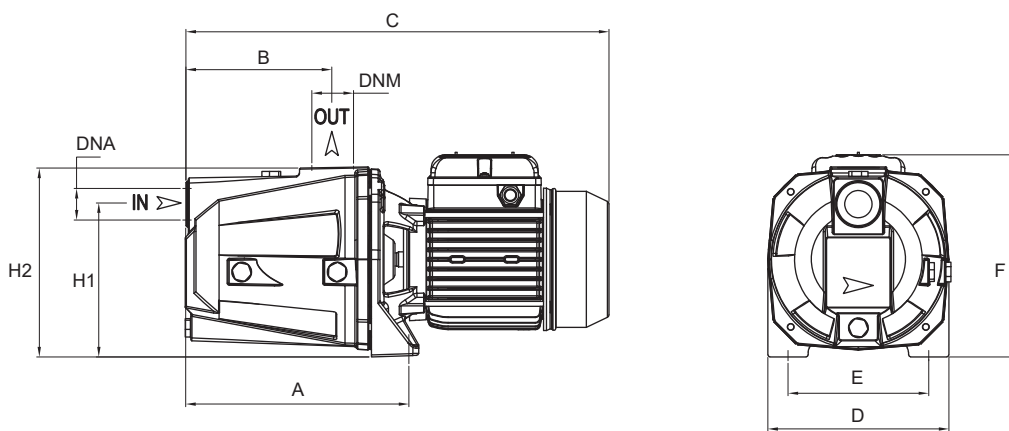
Insulation class F

Protection degree IP44

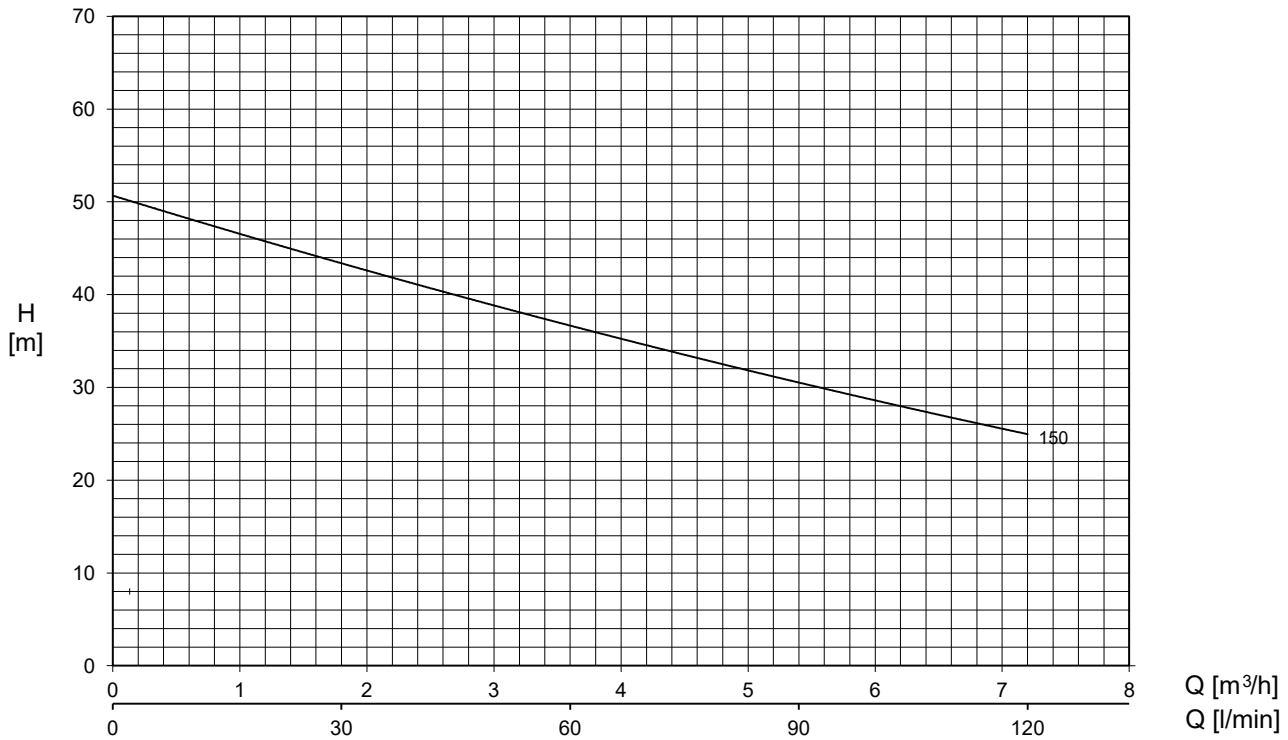
Code	Description
CAM 100-1	HYJET 0.74 KW 240V 70 L/min Cast Iron Jet Pump
CAM 150-1	HYJET 1.1 KW 240V 120 L/min Cast Iron Jet Pump
CAM 100-1-PC	HYJET 0.74 KW 240V 70 L/min Cast Iron Jet Pump with HPC22 Pressure Controller
CAM 150-1-PC	HYJET 1.1 KW 240V 120 L/min Cast Iron Jet Pump with HPC22 Pressure Controller



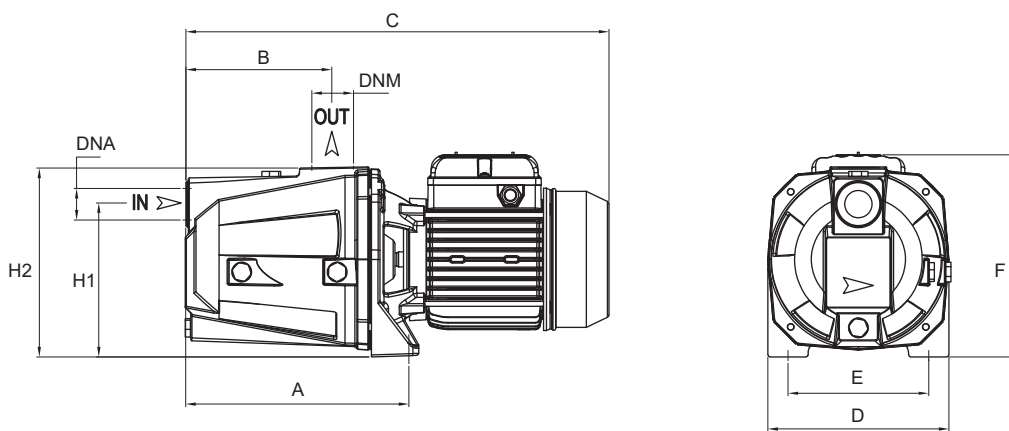
TYPE		P2		P1 (kW)		AMPERE		Q (m³/h - l/min)							
1~	3~	(HP)	(kW)	1~	3~	1~	3~	0,6	1,2	1,8	2,4	3,0	3,6	4,2	4,8
						50 Hz	50 Hz	10	20	30	40	50	60	70	80
		H (m)													
CAM 100	CAMT 100	1	0,74	1,02	1,05	4,7	2,3	47	42	37	32	26,7	10	-	-



TYPE	DIMENSIONS (mm)													Kg
	A	B	C	D	E	F	H1	H2	DNA	DNM	I	L	M	
CAM 100	230	140	420	180	140	195	152	185	1"G	1"G	440	200	225	17



TYPE		P2		P1 (kW)		AMPERE		Q (m ³ /h - l/min)						
1~	3~	(HP)	(kW)	1~	3~	1~	3~	0	1,2	2,4	3,6	4,8	6	7,2
						1x240V 50 Hz	3x400V 50 Hz	0	20	40	60	80	100	120
CAM 150	CAMT 150	1,5	1,1	1,9	1,8	8,2	3,4	H (m)						
								50,7	45,7	41	36,8	32,5	28,5	25



TYPE	DIMENSIONS (mm)														Kg
	A	B	C	D	E	F	G	H1	H2	DNA	DNM	I	L	M	
CAM 150	269,6	167	506	203	165	220	231,5	175	220	1"1/2G	1"1/4G	520	240	250	26