



AVAILABLE WITH
PRESSURE CONTROLLER



4"

Self-priming centrifugal pump with external 4" ejector; for water supplies (even if mixed with gas) in small household systems, when connected to autoclave tanks, an automatic pressurisation system comes.

CONSTRUCTION FEATURES

Pump body Cast iron

Motor bracket Cast iron or aluminium (AP 75÷100),
Cast iron (AP 150÷200)

Impeller Noryl® or brass

Mechanical seal Ceramic-graphite

Motor shaft Stainless steel AISI 416 (AP 75÷100),
AISI 303 hydraulic side (AP 150÷200)

Liquid temperature 0 - 50 °C

Operating pressure Max 8 bar

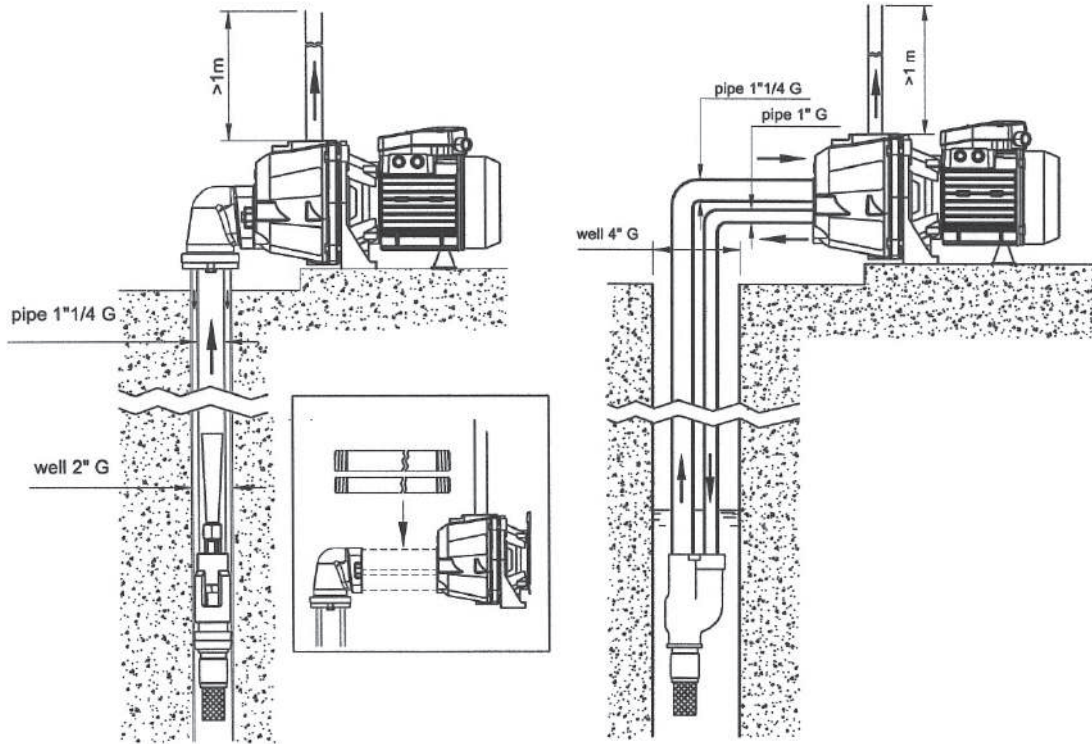
MOTOR

2 Pole induction motor 3~ 240/400V-50Hz
With thermal protection

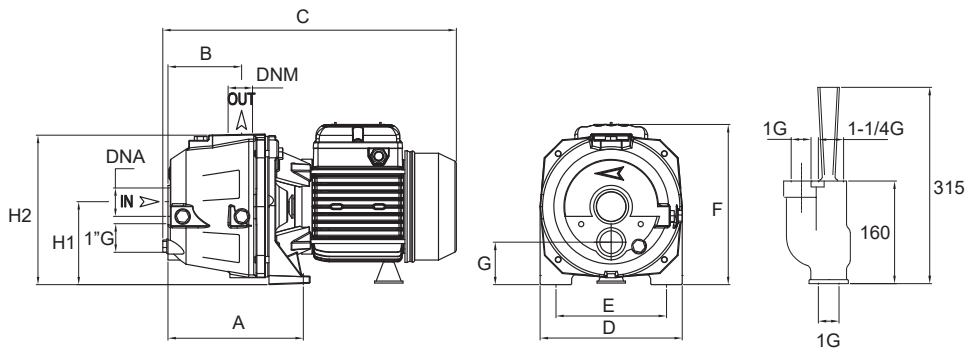
Insulation class F

Protection degree IP44

Code	Description
AP100-4-1	HYJET 0.74 KW 240V 2 m3/h Cast Iron P30 Deep Well Pump with 2.5m Cable and 3 Pin Plug
AP150-4-1	HYJET 1.1 KW 240V 4 m3/h Cast Iron P30 Deep Well Pump with 2.5m Cable and 3 Pin Plug
AP100-4-1-PC	HYJET 0.74 KW 240V 2 m3/h Cast Iron P30 Deep Well Pump with 2.5m Cable and 3 Pin Plug with HPC22 Pressure Controller
AP150-4-1-PC	HYJET 1.1 KW 240V 4 m3/h Cast Iron P30 Deep Well Pump with 2.5m Cable and 3 Pin Plug with HPC22 Pressure Controller



TYPE		P2		P1 (kW)		AMPERE		Ejector type	Suction depth. m	Q (m ³ /h - l/min)										
1~	3~	(HP)	(kW)	1~	3~	1~ 1x230 V 50 Hz	3~ 3x400 V 50 Hz			0,18	0,36	0,6	0,9	1,2	1,5	1,8	2,1	3	3,6	
										3	6	10	15	20	25	30	35	50	60	
H (m)																				
AP 100	APT 100	1	0,74	1,02	1,05	4,7	2,3	P 30	25	30	25	20	14	11	-	-	-	-		
									30	14	8	-	-	-	-	-	-	-	-	-
									35	12	4	-	-	-	-	-	-	-	-	-
AP 150	APT 150	1,5	1,1	1,65	1,65	8,2	3	P 30	35	-	-	-	49	41	20	-	-	-		
									40	-	-	-	48	40	-	-	-	-	-	
									50	-	49	43	20	-	-	-	-	-	-	



TYPE	DIMENSIONS (mm)														
	A	B	C	D	E	F	G	H1	H2	DNA	DNM	I	L	M	
AP 100	168	82	360	180	140	195	52	97	188	1" 1/4 G	1" G	440	200	225	18
AP 150	125	74	415	220	177	230	60	112	240	1" 1/4 G	1" G	525	230	280	28,5