

Centrifugal pumps that combine medium head with medium-high delivery; ideal for sprinkle irrigation and in applications where quiet operations are requested and only slight pressure change as the delivery changes.

CONSTRUCTION FEATURES

Pump body Cast iron

Motor bracket Cast iron

Impeller Brass

Mechanical seal Ceramic-graphite

Motor shaft Stainless steel AISI 303

Liquid temperature 0 - 90 °C

Operating pressure Max 6 bar

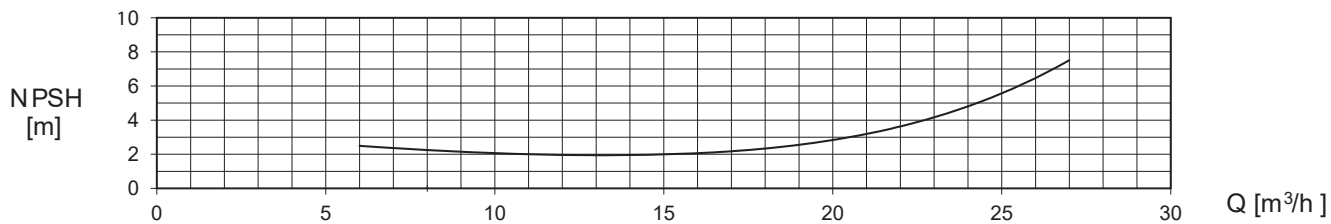
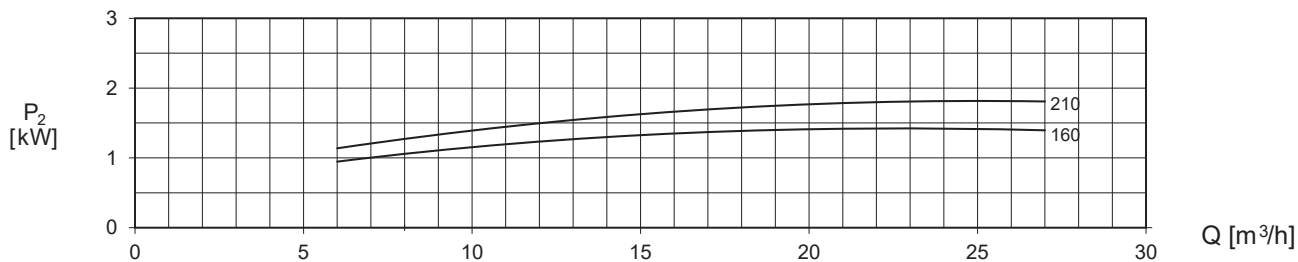
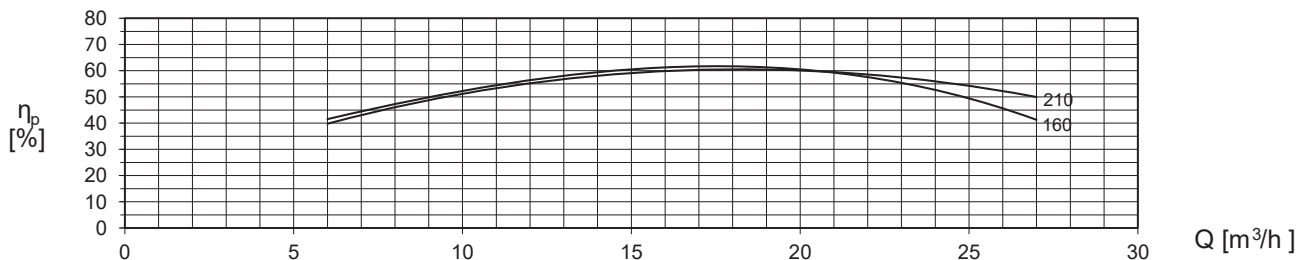
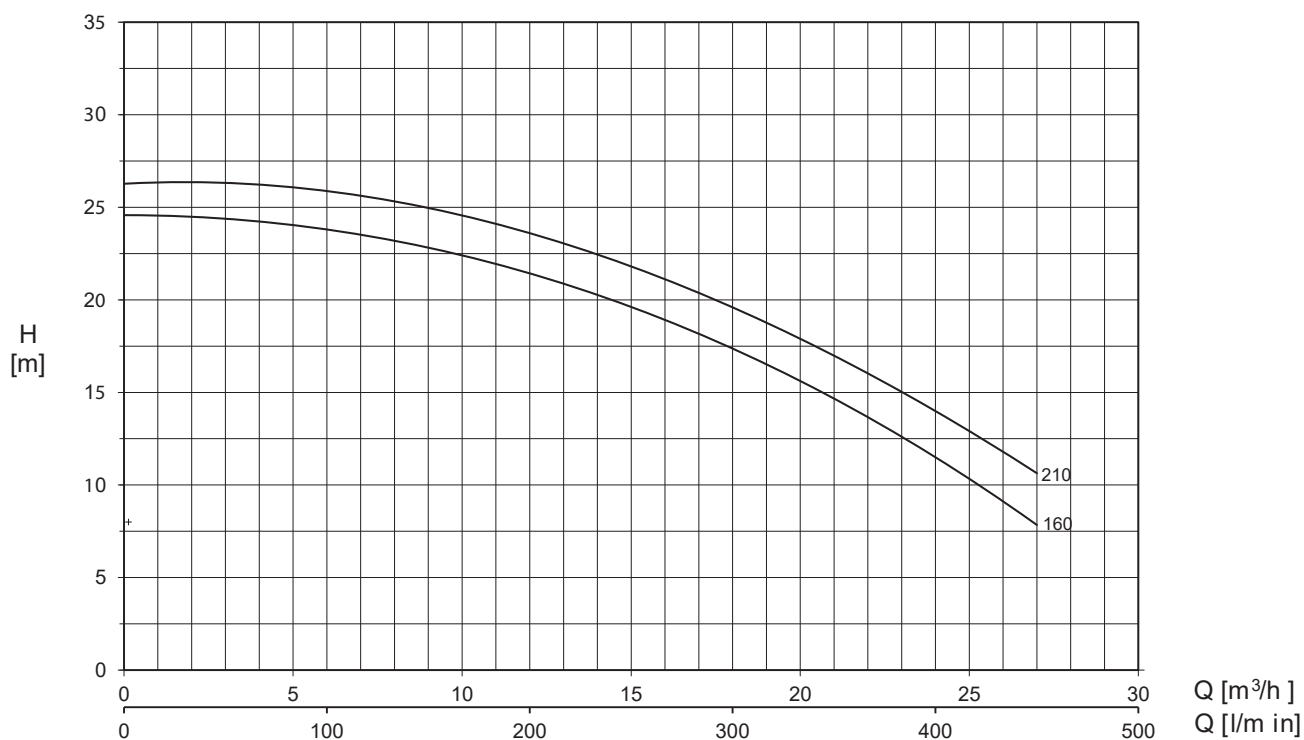
MOTOR

2 Pole induction motor 1~ 230V-50Hz
With thermal protection

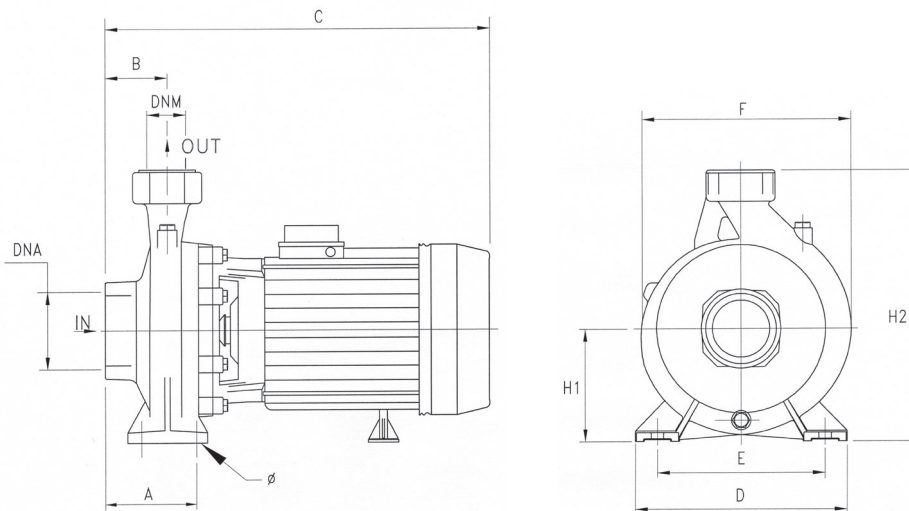
Insulation class F

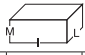
Protection degree IP44

Code	Description
SE160	HYJET 1.1 KW 240V 2 inch Cast Iron Centrifugal Pump 450 L/min
SE210	HYJET 1.5 KW 240V 2 inch Cast Iron Centrifugal Pump 450 L/min



TYPE		P2		P1 (kW)		AMPERE		Q (m ³ /h - l/min)								
1~	3~	(HP)	(kW)	1~	3~	1~	3~	0	6	9	12	15	18	21	24	27
								0	100	150	200	250	300	350	400	450
						1x230 V 50 Hz	3x400 V 50 Hz	H (m)								
SE 160	SE 160 T	1,5	1,1	1,8	1,8	8,3	3,4	24,5	23,9	22,9	21,4	19,5	17,3	14,7	11,6	7,8
SE 210	-	2	1,5	2,1	-	10,1	-	26,3	25,9	25,0	23,6	21,7	19,6	17,1	14,1	10,6



TYPE	DIMENSIONS (mm)													Kg	
	A	B	C	D	E	F	Ø	H1	H2	DNA	DNM	I	L		M
SE 160	105	48	370	200	160	215	9.5	110	280	2"G	2"G	390	230	300	22
SE 210	105	48	370	200	160	215	9.5	110	280	2"G	2"G	390	230	300	24