

Zenox Submersible Sewage Grinder Pumps



- Heavy duty grinder pumps for pumping sewage
- Hardened cutters for maximum grinding action
- Suited to industrial, commercial and residential applications

Four Models Available:

- ZSG-150-1** 240 volt, 1.5 kW, Manual
- ZSG-150-1A** 240 volt, 1.5 kW, Automatic
- ZSG-150-3** 415 volt, 1.5 kW, Manual
- ZSG-220-3** 415 volt, 2.2 kW, Manual

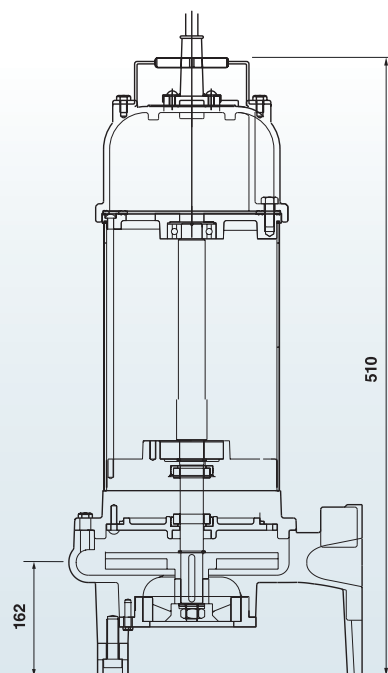
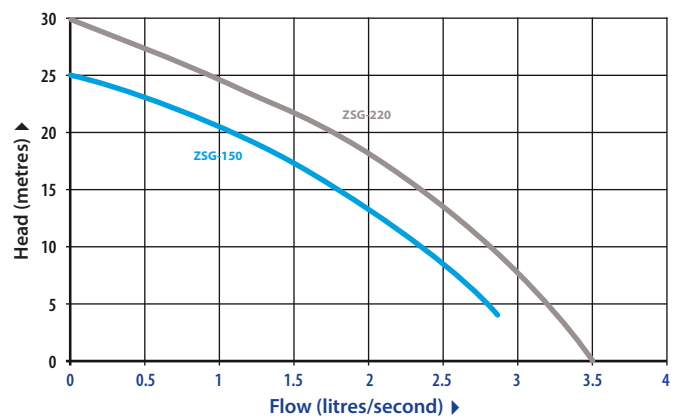
SPECIFICATION:

- 25/28 metres max head
- 3.0/3.5 litres per second max flow rate
- 1.5/2.2 kW motor
- Weight 32/35 kg
- 32 mm vertical discharge
- 10 metre cable H07 RN-F

FEATURES:

- Cast iron/stainless steel construction
- Hardened chrome-molybdenum alloy cutting blades
- Triplex shaft seal – double mechanical seal and one lip seal
- Double cable entry seal – with epoxy vapour seal
- Suit guide rail kit model ZGRK 32/50

PUMP PERFORMANCE:



Zenox Pumps

Zenox Pumps reserves the right to change product specifications

