

## Zenox Submersible Sewage Cutter Pumps



- Heavy duty submersible cutter pumps for pumping domestic sewage and dirty water
- Impeller with double-edge tungsten cutting mechanism to shred suspended solids
- Suited to industrial and residential use

### Two Models Available:

**ZSC-150-1** 240 volt, 1.5 kW, Manual

**ZSC-150-3** 415 volt, 1.5 kW, Manual

### SPECIFICATION:

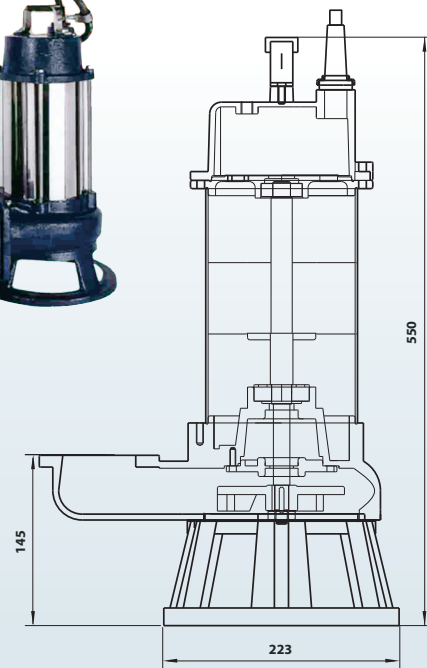
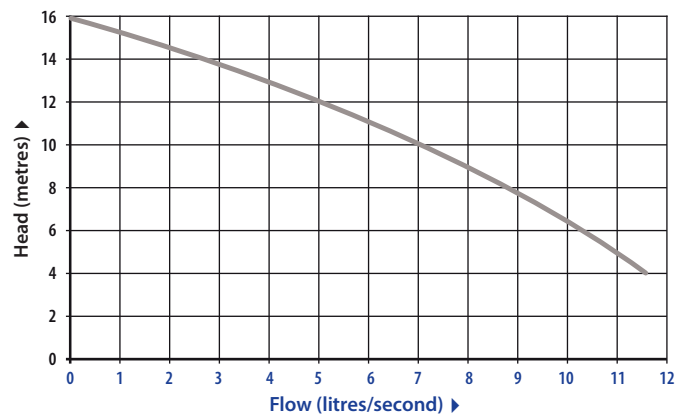
- 16 metres max head
- 11.6 litres per second max flow rate
- 1.5 kW motor
- 80 mm vertical discharge
- Weight 35 kg
- 10 metre cable H07 RN-F

### FEATURES:

- Cast iron pump casing and impeller
- Stainless steel motor shaft

- Triplex shaft seal – double mechanical seal and one lip seal
- Suit guide rail kit model ZGRK-80
- Equipped with tungsten-edge cutting impeller and hardened grind plate
- Thermally protected motor

### PUMP PERFORMANCE:



Zenox Pumps

Zenox Pumps reserves the right to change product specifications

