

Zenox Submersible Sewage Cutter Pumps



- Heavy duty submersible cutter pumps for pumping sewage and effluent
- Impeller with double-edge tungsten cutting mechanism to shred suspended solids
- Suited to a wide range of applications

Three Models Available:

ZSC-075-1 240 volt, 0.75 kW, Manual

ZSC-075-1A 240 volt, 0.75 kW, Automatic

ZSC-075-3 415 volt, 0.75 kW, Manual

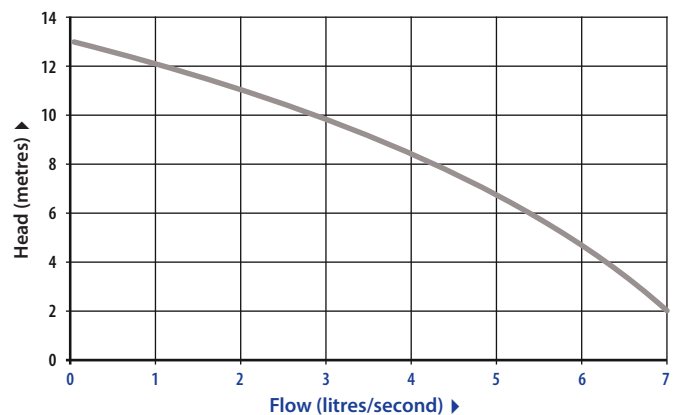
SPECIFICATION:

- 13 metres max head
- 7.1 litres per second max flow rate
- 0.75 kW motor
- 50 mm vertical discharge
- Weight 30 kg
- 10 metre cable H07 RN-F

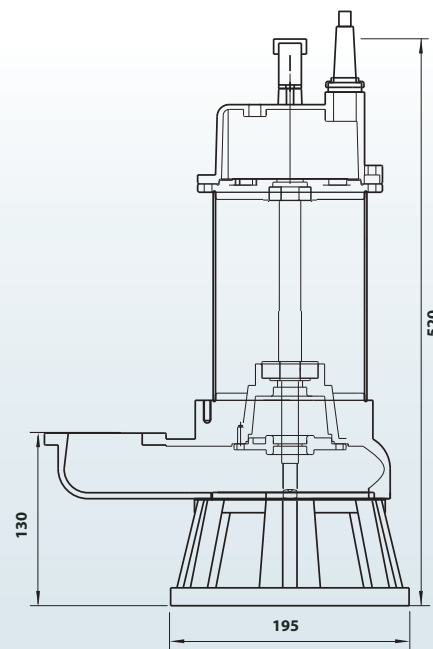
FEATURES:

- Cast iron pump casing and impeller
- Stainless steel motor shaft
- Triplex shaft seal – double mechanical seal and one lip seal
- Equipped with tungsten-edge cutting impeller and hardened grind plate
- Thermally protected motor

PUMP PERFORMANCE:



Tungsten Cutter Impeller



Zenox Pumps

Zenox Pumps reserves the right to change product specifications

