

Zenox Submersible Greywater Cutter Pumps



- Heavy duty submersible cutter pumps for pumping greywater and effluent
- Impeller with double-edge tungsten cutting mechanism to shred suspended solids
- Suited to sink discharge and grease arrestors

SPECIFICATION:

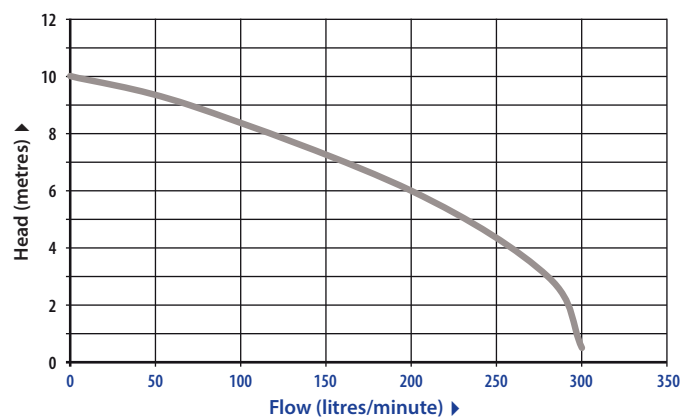
- 10 metres max head
- 300 litres per minute max flow rate
- 0.40 kW, 240 volt motor
- 50 mm vertical discharge
- Weight 18 kg
- 10 metre cable H07 RN-F

FEATURES:

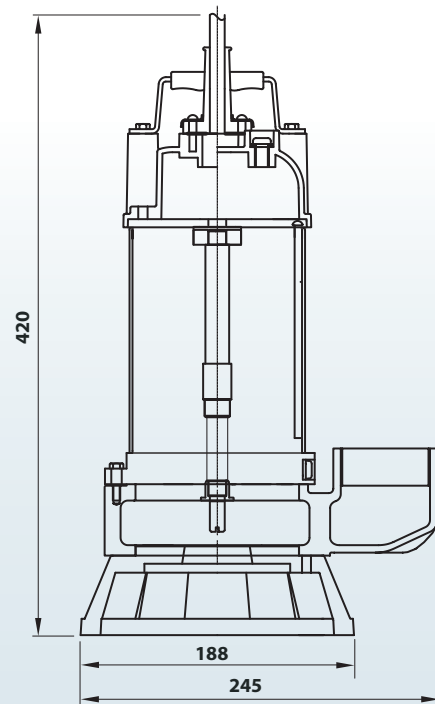
- Cast iron pump casing and impeller
- Stainless steel motor shaft

- Triplex shaft seal – double mechanical seal and one lip seal
- Equipped with tungsten-edge cutting impeller and hardened grind plate
- Thermally protected motor

PUMP PERFORMANCE:



Tungsten Cutter Impeller



Zenox Pumps

Zenox Pumps reserves the right to change product specifications

