

Zenox Submersible Waste Water Vortex Pumps



- Heavy duty wastewater pumps for municipal applications
- Semi-vortex impeller for non-clog operation
- Suited to municipal, industrial and commercial applications containing soft or fibrous solids
- Will pump solids to 70% of the discharge size

Three Models Available:

ZSV-150-3 415 volt, 1.5 kW, Manual

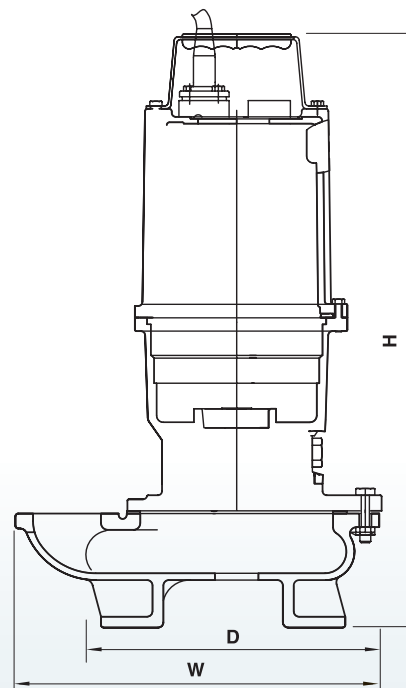
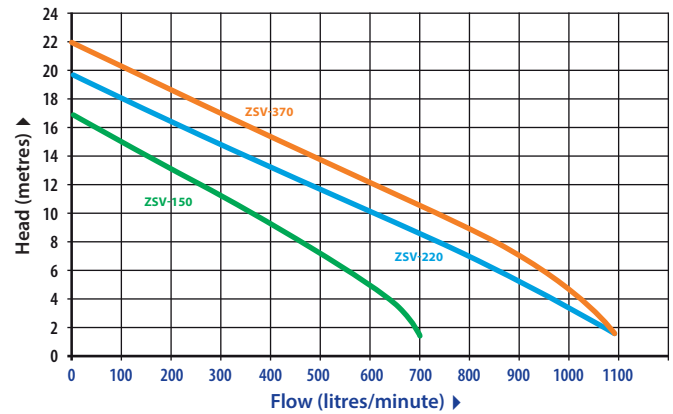
ZSV-220-3 415 volt, 2.2 kW, Manual

ZSV-370-3 415 volt, 3.7 kW, Manual

FEATURES:

- Heavy duty cast iron construction
- Stainless steel shaft
- Double mechanical seal in oil chamber
- Quick and easy maintenance - only 4 bolts to remove
- Thermal overload protection
- ZSV-150 suits Guide Rail Kit ZGRK 65
- ZSV-220 and ZSV-370 suits Guide Rail Kit ZSV-GR

PUMP PERFORMANCE:



SPECIFICATION:

Model Name	Outlet Size	Maximum Flow rate	Maximum Head	Motor Size	Weight	Dimensions W x D x H
ZSV-150	65 mm	10 L/sec	15 m	1.5 kW	46 kg	398 x 244 x 600 mm
ZSV-220	80 mm	16 L/sec	18 m	2.2 kW	64 kg	449 x 281 x 723 mm
ZSV-370	80 mm	16 L/sec	21 m	3.7 kW	68 kg	449 x 281 x 723 mm



Zenox Pumps

Zenox Pumps reserves the right to change product specifications

