

Zenox Monoblock Submersible Bore Pump



- Bore pump suitable for pumping clean water that contains sand (up to 150 g/m³)
- Water supply for home and garden
- Civil and agricultural use

Four Models Available:

4BLOCKm 2/13 0.75 kW, 240 volt motor

4BLOCKm 2/20 1.1 kW, 240 volt motor

4BLOCKm 4/9 0.75 kW, 240 volt motor

4BLOCKm 6/9 1.1 kW, 240 volt motor

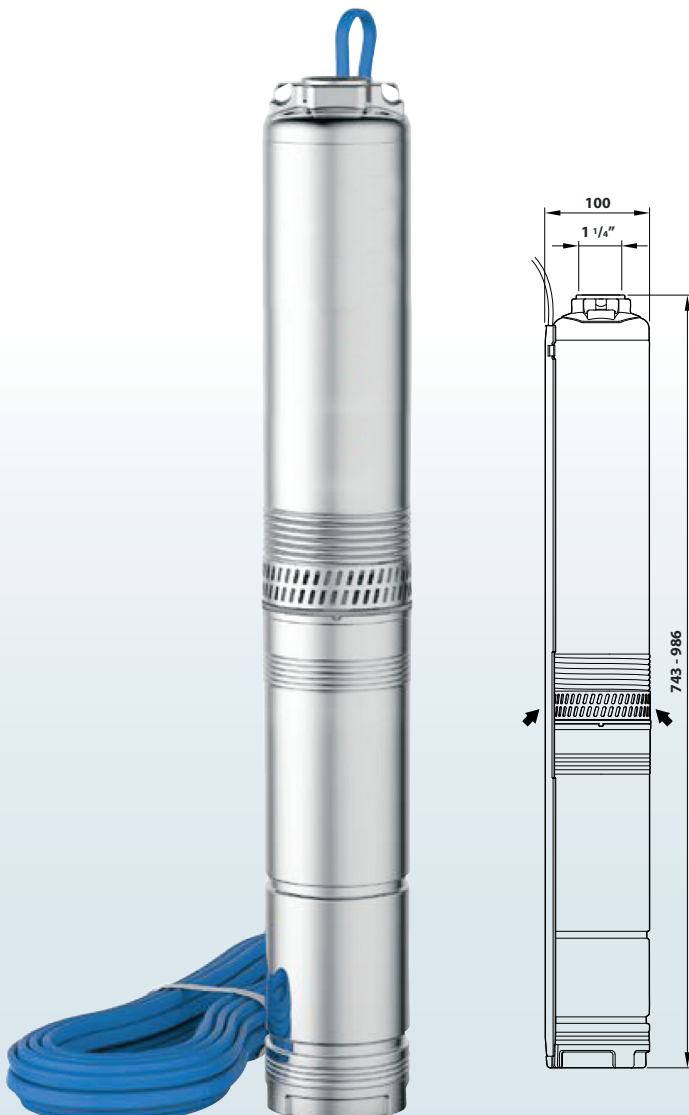
SPECIFICATION:

- 128 metres max head
- 150 litres per minute max flow rate

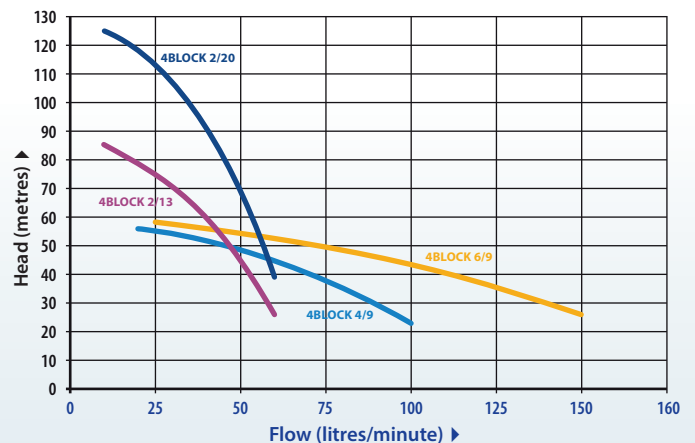
- 0.75/1.1 kW, 240 volt motor
- 32mm discharge
- Vertical and horizontal installation
- Weight 13.8/17.8 kg
- 20 metre PBS-S type cable approved for drinking water

FEATURES:

- Stainless steel AISI 304 pump body
- Stainless steel AISI 304 motor sleeve
- Lexan 141-R Impellers
- Noryl GFN2V diffusers
- Double mech seal, silicon carbide – graphite – NBR
- Thermal overload protection
- Up to 60 metres maximum immersion depth
- Can be supplied complete with pre-wired, heavy-duty electronic controller



PUMP PERFORMANCE:



Zenox Pumps

Zenox Pumps reserves the right to change product specifications

