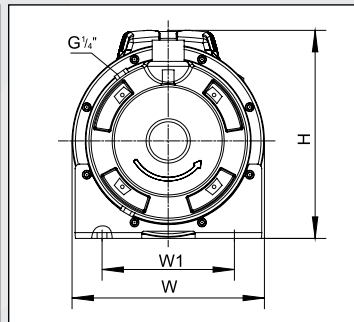
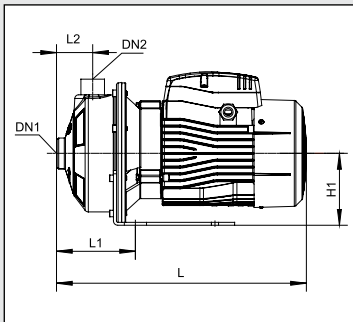


SINGLE STAGE CENTRIFUGAL PUMPS



PRESSURE PUMPS



DIMENSIONS

	Ports		L	W	H	L ₁	L ₂	W ₁	H ₁
Pump Model	DN1	DN2	(mm)	(mm)	(mm)	(mm)	(mm)	(mm)	(mm)
HSS70-055-1	1 1/4	1	332	210	224	119	55	149	110
HSS210-11-1	1 1/2	1 1/4	440	210	250	129	55	149	110
HSS210-15-1	1 1/2	1 1/4	440	210	250	129	55	149	110
HSS370-22-1	2	1 1/4	440	210	250	129	55	149	110

TECHNICAL DATA

	Power	L/mn	0	30	40	60	80	100	120	140	160	180	200	250	300	350	400	430	480	520		
Pump Model	KW	HP	m ³ /h	0	1.8	2.4	3.6	4.8	6	7.2	8.4	9.6	10.8	12	15	18	21	24	26	19	31	
HSS70-055-1	0.55	0.75	H(m)	29.5	27.3	26.3	23.4	19.1														
HSS210-11-1	1.1	1.5		19.7						18.7	18.3	18.0	17.5	17.1	15.6	13.6						
HSS210-15-1	1.5	2.0		24.2						23.5	23.2	22.8	22.4	21.8	20.2	18.0						
HSS370-22-1	2.2	3.0		23.1										21.7	20.9	20.0	18.8	17.2	16.2	14.2	12.3	

HSS SERIES

APPLICATION

- Water supply for Agricultural, Domestic, Commercial and Industrial applications.
- Irrigation
- Water Transfer
- Wash Down
- Heating and Cooling Systems

OPERATING LIMITS

- Max. working pressure: 10 Bar
- Max. liquid temperature: 60°C
- Max. ambient temperature: 55°C
- Continuous duty

CONSTRUCTION

- Pump body: AISI 304 Stainless steel
- Impeller: AISI 304 Stainless steel
- Motor Shaft: AISI 304 Stainless steel
- Mechanical seal: Silicone Carbide / Graphite

MOTOR

- Two-Pole induction motor (in=2900r/min)
- 240V 1PH/ 50Hz
- Insulation Class F
- Protection IPX4



PRESSURE PUMPS

PERFORMANCE CURVE

