



DHT370

APPLICATION

- Garden water supply and irrigation
- Rainwater tank pump set
- Water transfer

FEATURES

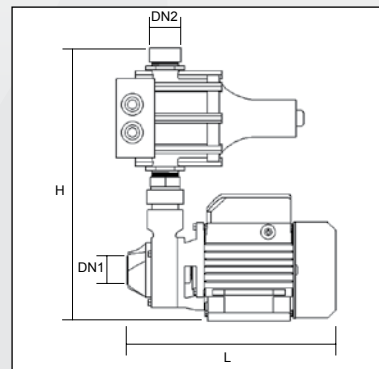
- Automatic pressure controller (Start & Stop on demand)
- Run dry protection
- Very reliable and robust

CONSTRUCTION

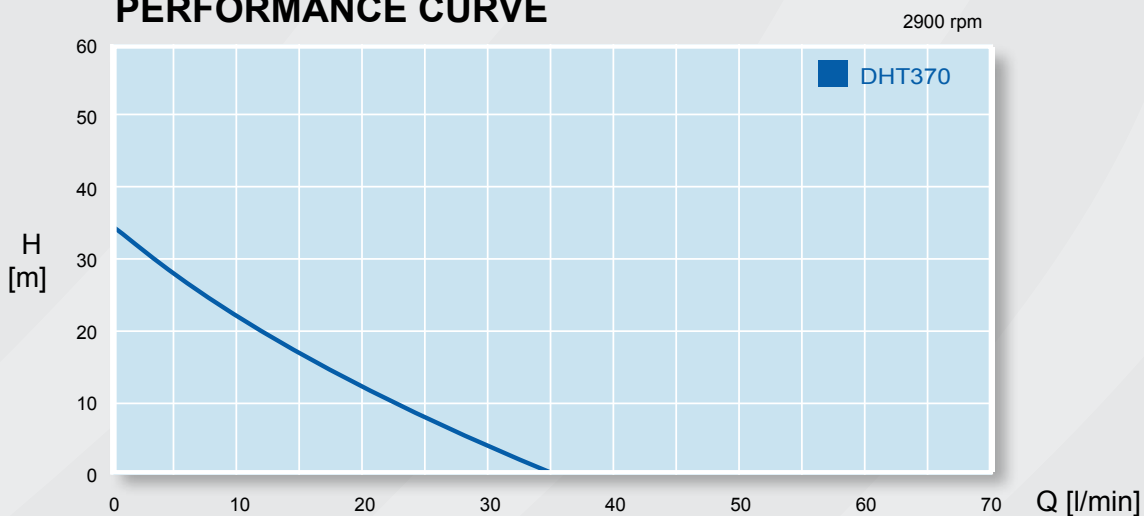
- Cast iron pump housing
- Brass turbine impeller
- Stainless steel motor & pump shaft
- Brass coupling
- Carbon / Ceramic mechanical seal
- Teflon coated pump housing – internally
- Motor IP44

DIMENSIONS

| Pump Model | Size (mm) | | DN1 | DN2 | G.W (KG) |
|------------|-----------|-----|-----|-----|----------|
| | H | L | | | |
| DHT370 | 335 | 257 | 25F | 25M | 8.1 |



PERFORMANCE CURVE



TECHNICAL DATA

| Pump Model | Tap Qty Guide | Pump Style | Power (P1) (kW) | Amps (A) | Voltage (V) | CONNECTION | | |
|------------|---------------|------------|-----------------|----------|-------------|------------|-------------|--------------|
| | | | | | | Inlet (mm) | Outlet (mm) | Cable (mtrs) |
| DHT370 | 2 | Turbine | 0.37 | 1.9 | 220-240V | 25 | 25 | 1.5 |