

Zenox Automatic Jet Pump with Electronic Controller



- Water supply for home and garden
- Pumping from tanks
- Rated for continuous service
- Very quiet and efficient

SPECIFICATION:

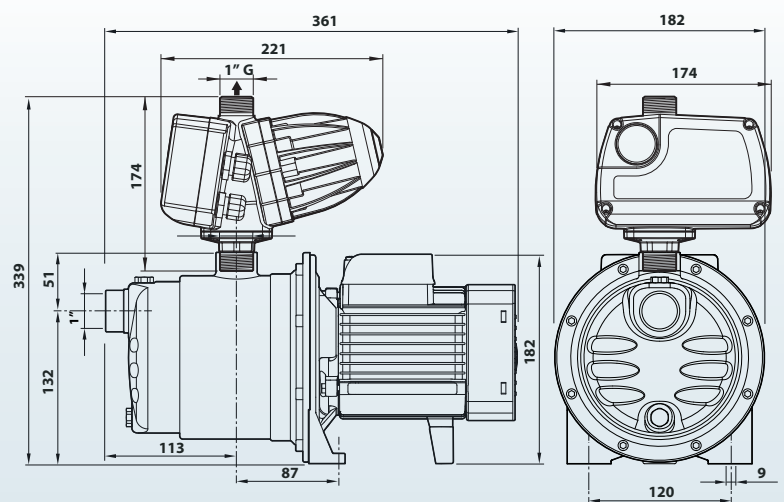
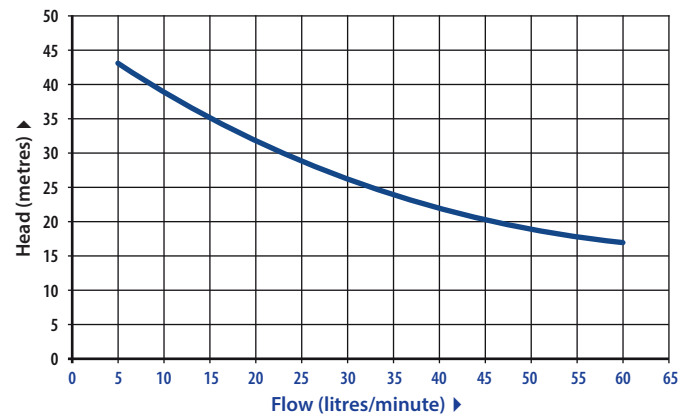
- 48 metres max head
- 60 Litres per minute max flow rate
- 0.55 kW, 240 volt TEFC motor suitable for continuous duty
- 25 mm inlet
- 25 mm outlet
- Weight 7.8 kg

FEATURES:

- AISI 304 Stainless Steel pump body
- AISI 304 Stainless steel impeller
- Mech seal, ceramic-graphite-NBR
- 4 tap capacity

- Self-priming
- Run dry protection
- Quiet running, very reliable and low power consumption
- Incorporates heavy duty electronic controller with built in pressure gauge

PUMP PERFORMANCE:



Zenox Pumps

Zenox Pumps reserves the right to change product specifications

