

## Zenox Automatic Jet Pump with Electronic Controller



- Water supply for home and garden
- Pumping from tanks
- Minimises water fluctuation

### SPECIFICATION:

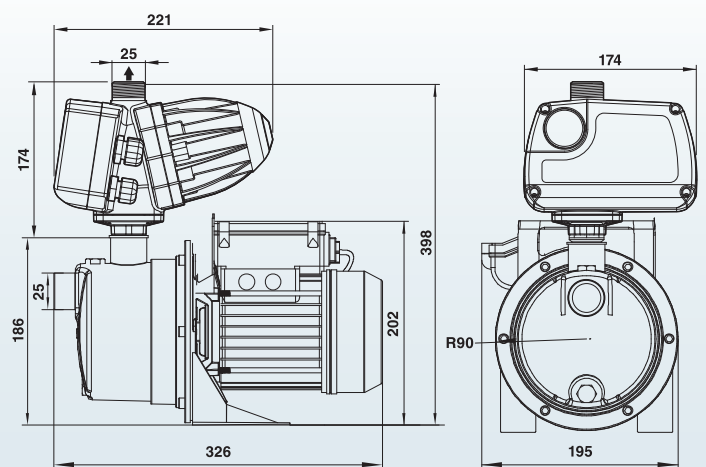
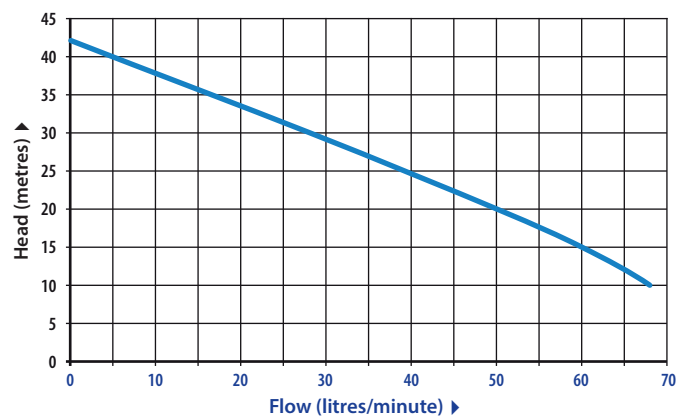
- 42 metres max head
- 60 litres per minute max flow rate
- 0.75 kW, 240 volt motor
- 25 mm inlet
- 25 mm outlet
- Weight 10.75 kg

### FEATURES:

- Stainless steel shaft
- Stainless steel pump housing
- Stainless steel impeller
- Long life bearings
- 4 tap capacity

- Self priming
- Run dry protection
- Incorporates heavy duty electronic controller with built in pressure gauge

### PUMP PERFORMANCE:



Zenox Pumps

Zenox Pumps reserves the right to change product specifications

